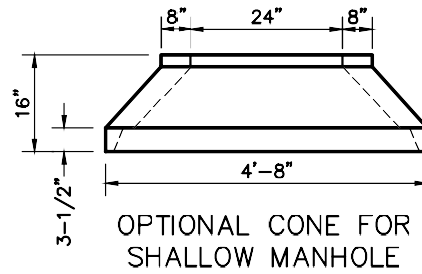


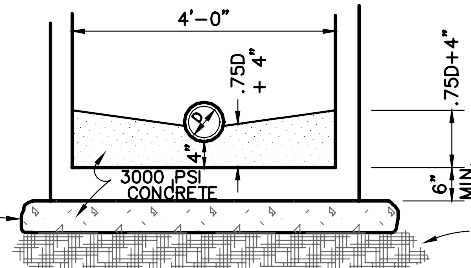
NOTES:

- 6" MIN. CONCRETE SLAB TO BE POURED TO GROUND CUT.
- INVERTS TO IN & OUT PIPES TO BE BUILT AFTER MANHOLE HAS BEEN SET.
- MANHOLE TO BE LEVELED & ASSEMBLED SO AS TO EVENLY DISTRIBUTE WALL BEARING LOAD.
- SEE DETAIL 71B-2 FOR REINFORCING DETAILS AND STEP DETAILS.
- 6" MIN. EXTENSION BEYOND EXTERIOR WALL OF MANHOLE.
- PRECAST MANHOLE JOINTS TO BE SEALED WITH "O" RING JOINT-ASTM C-443 OR WITH APPROVED BUTYL RUBBER SEALANT.
- CONCRETE SLAB SHALL EXTEND A MIN. OF 3" ABOVE BOTTOM OF FIRST MANHOLE SECTION.
- ALL LIFT HOLES TO BE SEALED WITH TAPERED NEOPRENE PLUGS OR OTHER APPROVED EQUAL. LIFT HOLES TO BE SEALED FROM OUTSIDE.
- 5' DIAMETER REQUIRED BELOW 14'.

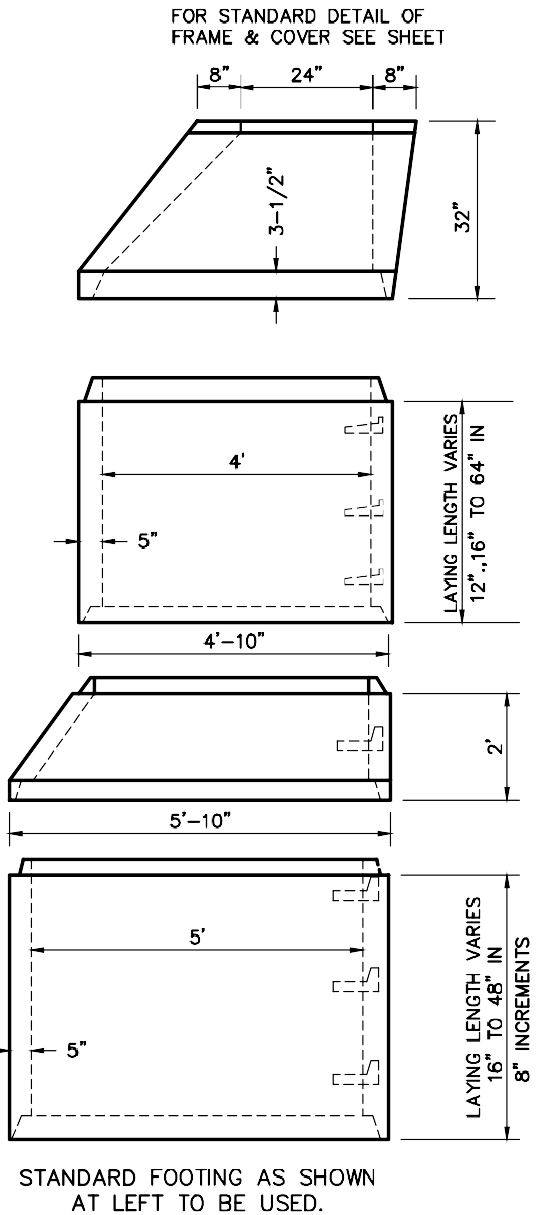
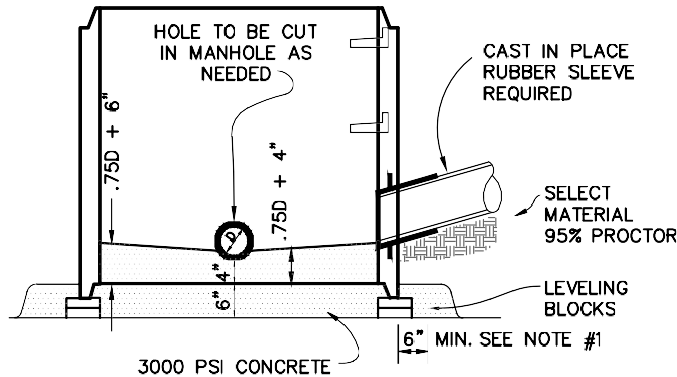
4" THICK 95% PROCTOR COMPACTED #57 WASHED STONE TO BE 6" CONCRETE W/OUTSIDE DROP.



OPTIONAL CONE FOR SHALLOW MANHOLE

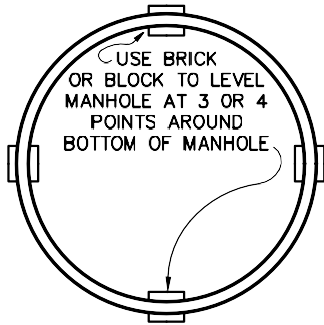


OPTIONAL MONOLITHIC BASE



NOTE: SPECIAL APPROVAL REQUIRED FOR INSTALLATION OF TRANSITION TYPE MANHOLES.

STANDARD FOOTING AS SHOWN AT LEFT TO BE USED.



REVISED	F.B.	PG.	DATE: FEB. 1, 1974
3-13-74			SCALE: NTS
12-13-84			DRAWN BY: NBM, MGB
3-15-88			CHECKED BY: RED, FAP, JB
2-7-05			CITY ENGINEER: DEC, JKL
12-10-24			

**Standard Detail**

**PRECAST CONCRETE MANHOLE**

OFFICE OF THE  
**CITY ENGINEER**  
GASTONIA, N.C.

FILE NO. **71B-4**