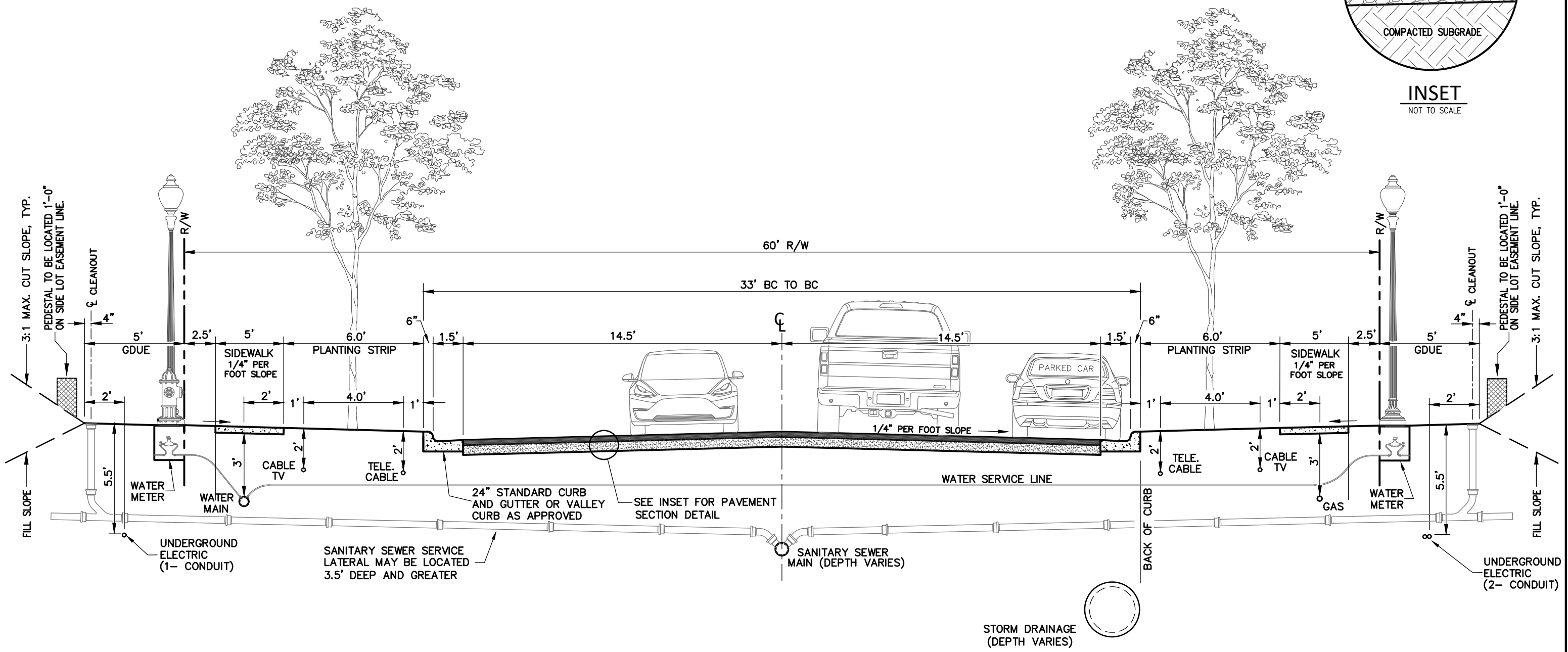
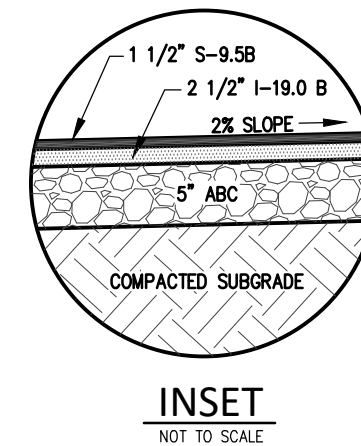


**NOTE:**  
 1. PARKING ALLOWED ON ONE SIDE OF STREET.



REVISED	DATE: 5/17/2022
2/15/2023	SCALE: NONE
	DRAWN BY: MGB, ASB, TAJ
	CHECKED BY: TAJ
	CITY ENGINEER: GVS



**STANDARD DETAIL**  
 60' R/W - COLLECTOR  
 STREET CROSS SECTION

OFFICE OF THE  
 CITY ENGINEER  
 GASTONIA, N.C.  
**71D-2**