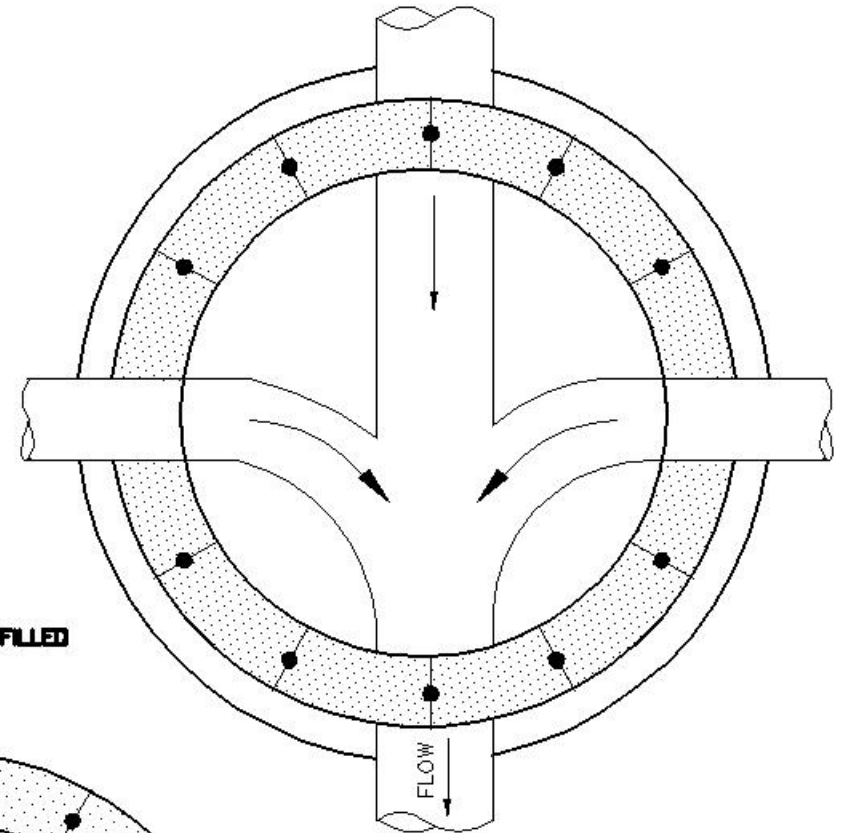
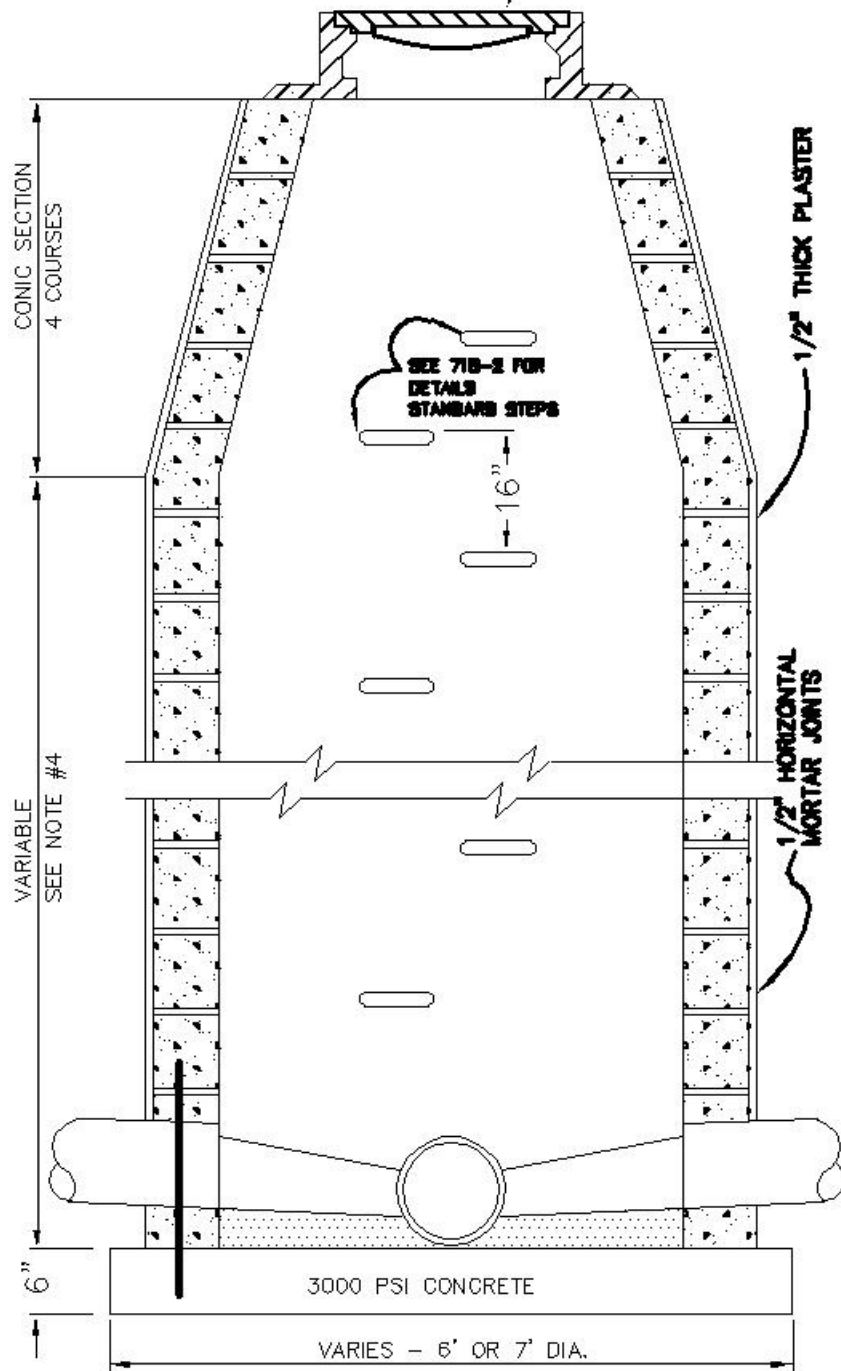


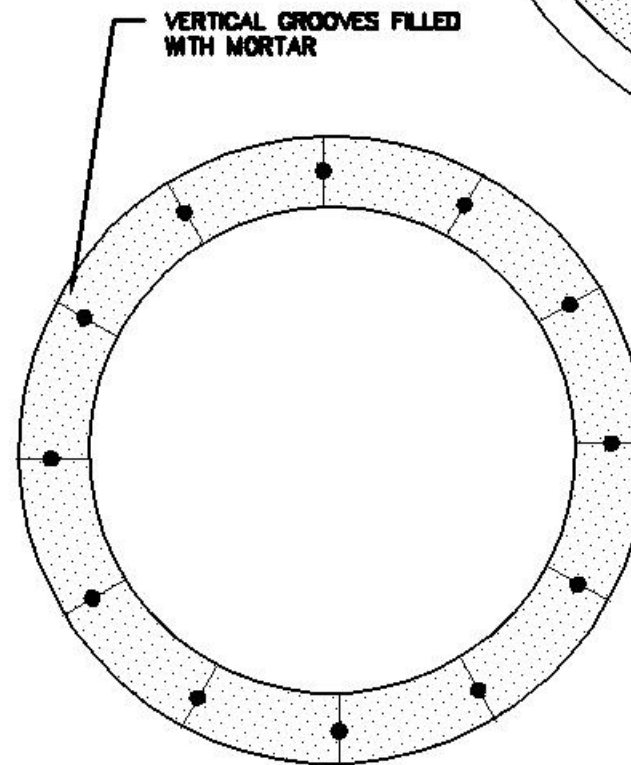
SEE 71B-1 FOR STANDARD
FRAME & COVER DETAILS



LATERAL INSTALLATION

NOTES:

1. BLOCK SHALL CONFORM TO ASTM C-139
2. MORTAR SHALL CONFORM TO ASTM C-139
3. OUTSIDE DROP TO BE CONSTRUCTED AS SHOWN IN BRICK DETAIL 71B-3
4. WALLS TO BE 8" THICK TO DEPTH OF 14" AND 12" THICK AT DEPTH GREATER THAN 14".
5. FOR REPAIR PURPOSES ONLY- NO NEW INSTALLATION.



TYPICAL CROSS SECTION

REVISED	F.B.	PG.	DATE: MAY 21, 1974
12/13/84			SCALE: NTS
02/24/05			DRAWN BY: NBM.
			CHECKED BY: FAP
			CITY ENGINEER: DEC

STANDARD DETAIL

REPAIR TO
CONCRETE BLOCK MANHOLE DETAILS

OFFICE OF THE
CITY ENGINEER
GASTONIA, N.C.

FILE
NO. **71B-13**