

- 1.) PRECAST MANHOLE, SEE STANDARD DETAIL 71B-4.
- 2.) Ⓞ AIR RELEASE VALVE W/ VACUUM CHECK UNIT.
- 3.) Ⓞ GATE VALVE.
- 4.) Ⓞ CORPORATION STOP (i.e. MUELLER H-10045).

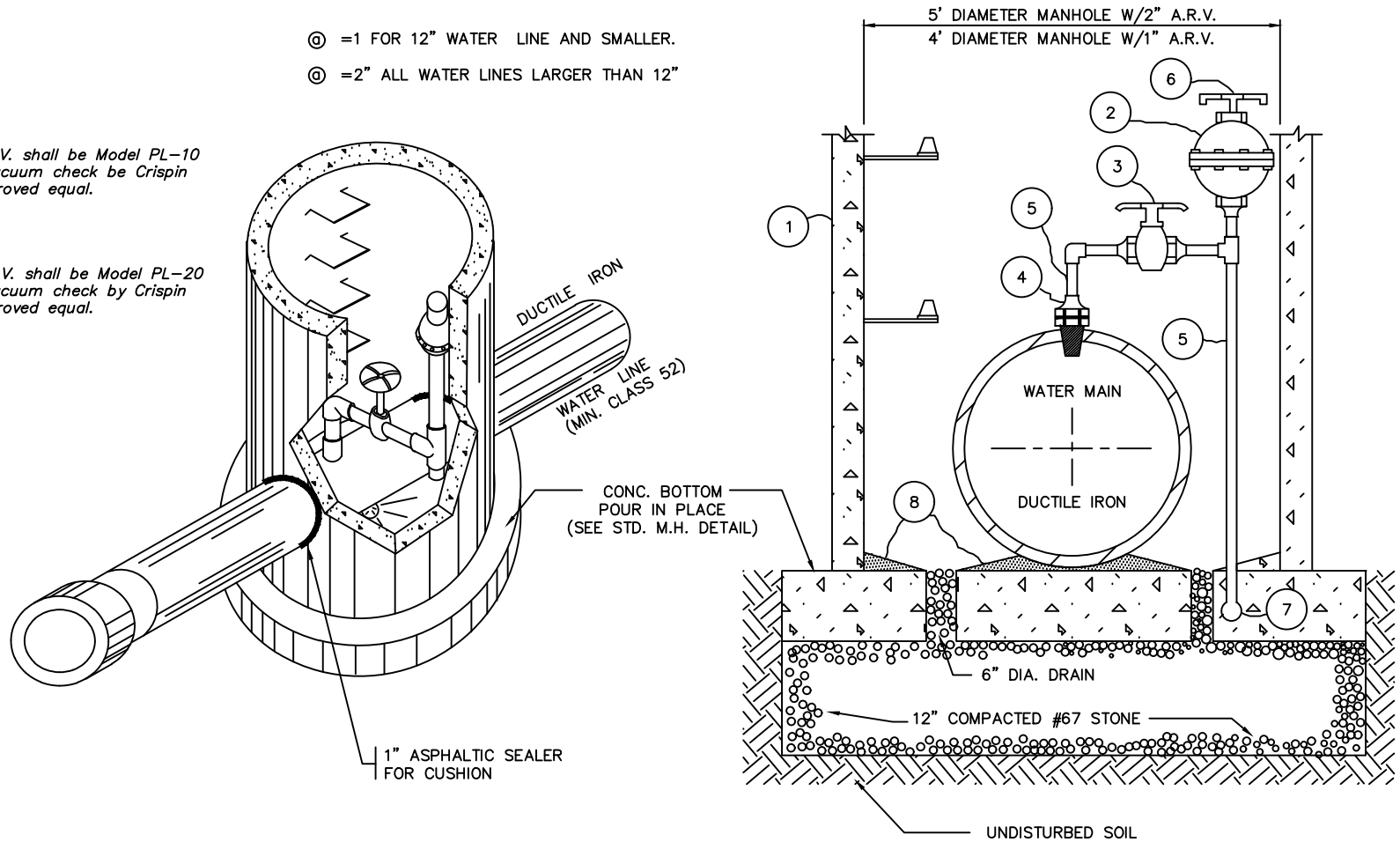
- 5.) Ⓞ IPS THREAD RED BRASS PIPE AND FITTINGS.
- 6.) TRASH HOOD.
- 7.) PIPE CAP.
- 8.) GROUT, 1/8" / 1'-0" MIN" MIN. SLOPE TO DRAIN

Ⓞ =1 FOR 12" WATER LINE AND SMALLER.

Ⓞ =2" ALL WATER LINES LARGER THAN 12"

NOTE:
1" A.R.V. shall be Model PL-10
with vacuum check be Crispin
or approved equal.

2" A.R.V. shall be Model PL-20
with vacuum check by Crispin
or approved equal.



REVISED	F.B.	PG.	DATE: 4-18-84
2/17/88			SCALE: NONE
3/28/19			DRAWN BY: K.A.B.
			CHECKED BY: FAP
			CITY ENGINEER: DEC

Standard Detail
Air Release Valve w/
Vacuum Check Unit
in Precast Manhole (Water)

OFFICE OF THE
CITY ENGINEER
GASTONIA, N.C.

FILE NO. **71B-17**