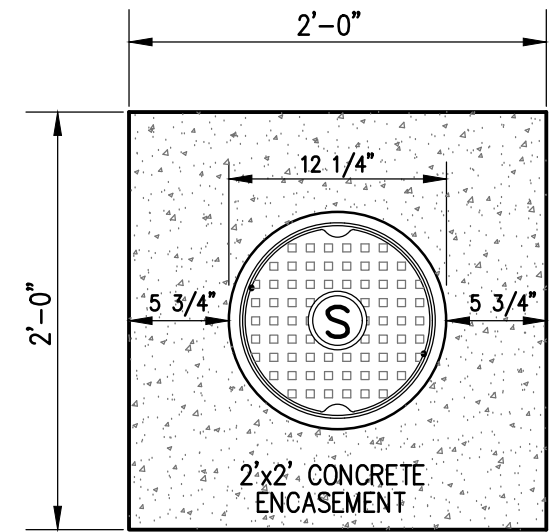
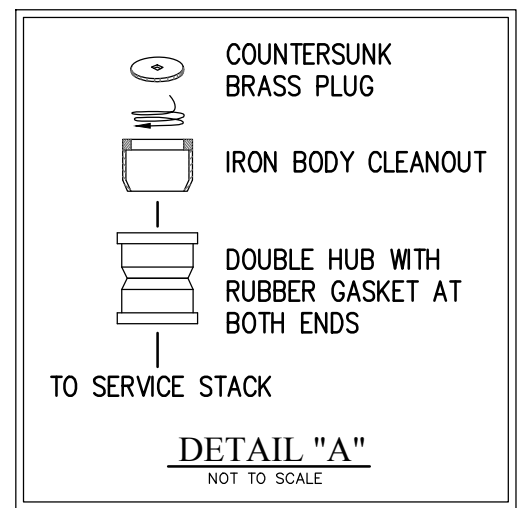


**ASSEMBLY SECTION VIEW**  
NOT TO SCALE

- NOTES:**
1. APPROVED MANUFACTURES: US FOUNDRY 7631 (OR APPROVED EQUAL).
  2. TO BE USED IN ALL AREAS DESIGNED FOR TRAFFIC.



**ASSEMBLY PLAN VIEW**  
NOT TO SCALE



REVISED	DATE: JAN. 10, 2016	<h1>Standard Detail</h1>	OFFICE OF THE
	SCALE: NONE		CITY ENGINEER
	DRAWN BY: MGB		GASTONIA, N.C.
	CHECKED BY: JB, TAJ, JSW, GVS		FILE NO. <b>71B-19D</b>
	CITY ENGINEER: CCB	Sanitary Sewer Cleanout Cover For Traffic Bearing Areas in Concrete	