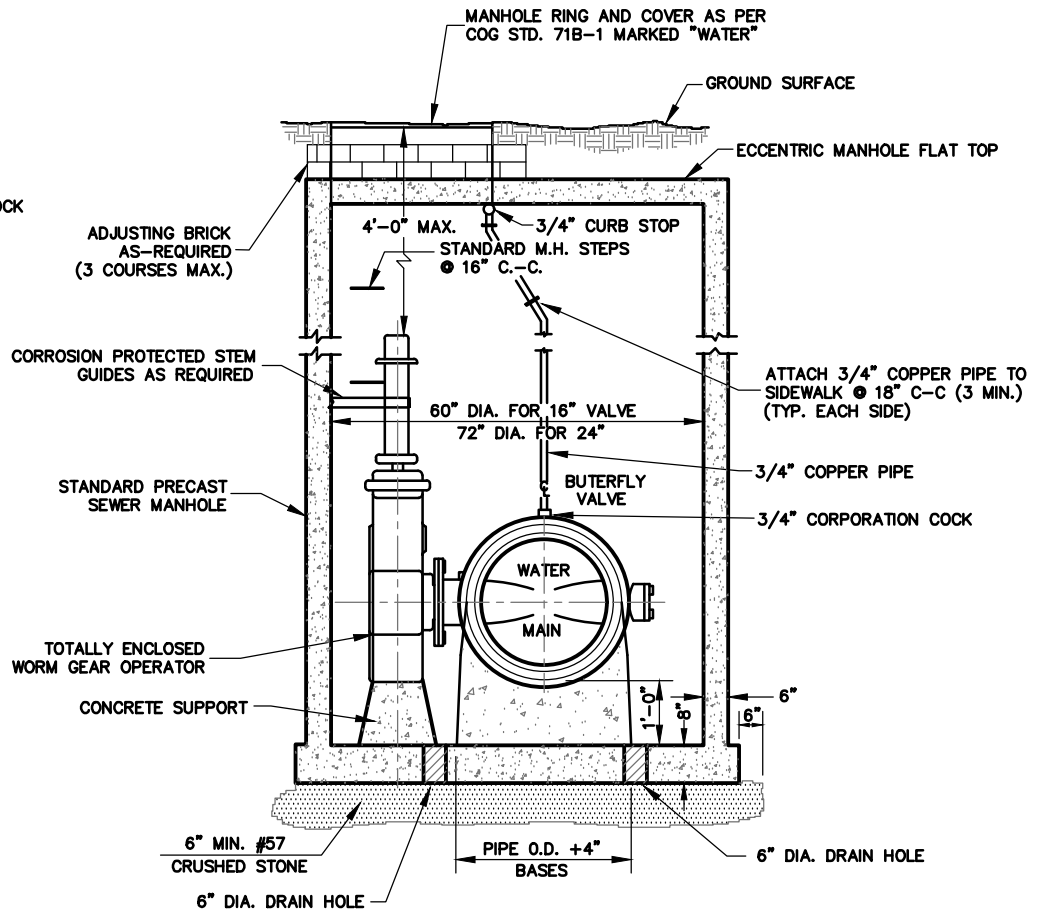


**PLAN VIEW**

**NOTE:**

THE CONTRACTOR SHALL FURNISH A MANHOLE STRUCTURE WITH FRAME AND COVER FOR THE BUTTERFLY VALVE AND OPERATOR. COMPLETE COST OF FURNISHING AND INSTALLATION OF ALL MATERIALS AS SHOWN WILL BE PAID FOR UNDER CONTRACT BID ITEM FOR BUTTERFLY VALVE WITH MANHOLE.



**SECTION VIEW**

SEE DETAIL 71-23A FOR PIPING

REVISED	F.B.	PG.	DATE: OCT. 25, 1988	<b>Standard Detail</b>	OFFICE OF THE <b>CITY ENGINEER</b> GASTONIA, N.C.
7/02/10 5/27/21			SCALE: NONE		
			DRAWN BY: DBD	<b>BUTTERFLY VALVE W/ MANHOLE (16" - 24")</b>	FILE NO. <b>71B-23</b>
			CHECKED BY: PNR		
			CITY ENGINEER: DEC		