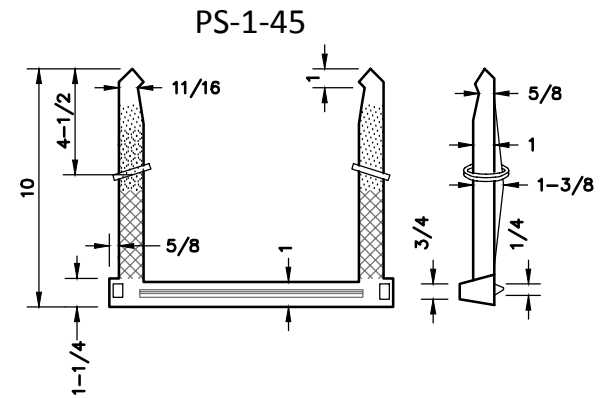
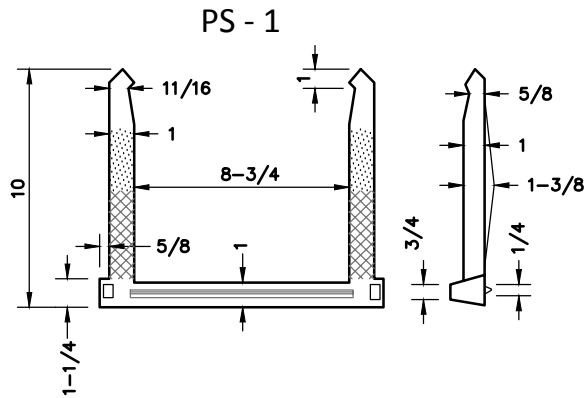
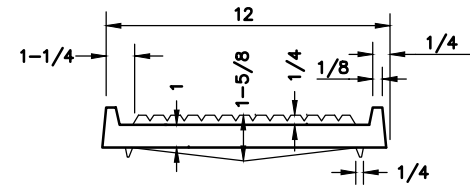
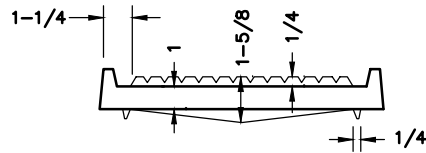


**TYPICAL STEP  
INSTALLATION**  
NO SCALE



(Step as manufactured by M.A. industries or approved equal.)



REVISED	DATE: 01-25-16	<b>Standard Detail</b>	OFFICE OF THE	
	SCALE: NONE		<b>CITY ENGINEER</b>	CITY ENGINEER
	DRAWN BY: MGB			GASTONIA, N.C.
	CHECKED BY: JB			FILE NO. <b>71B-2A</b>
	CITY ENGINEER: CCB	<b>Plastic Manhole Step Detail</b>		