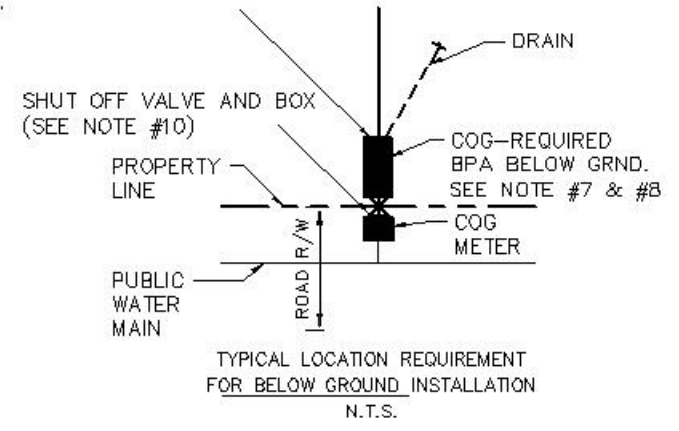


BPA REQUIRED WITHIN 5' OF METER OR AS APPROVED BY COG.

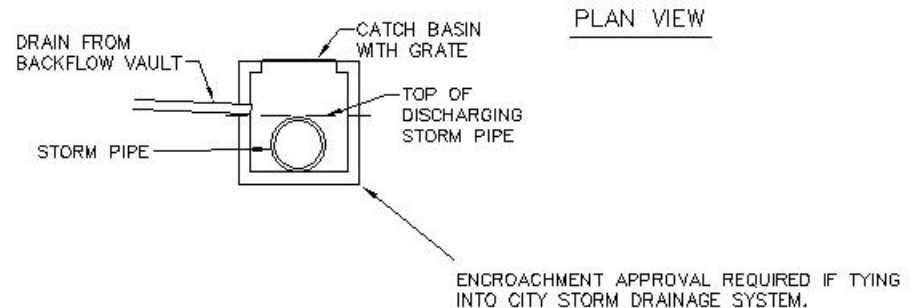
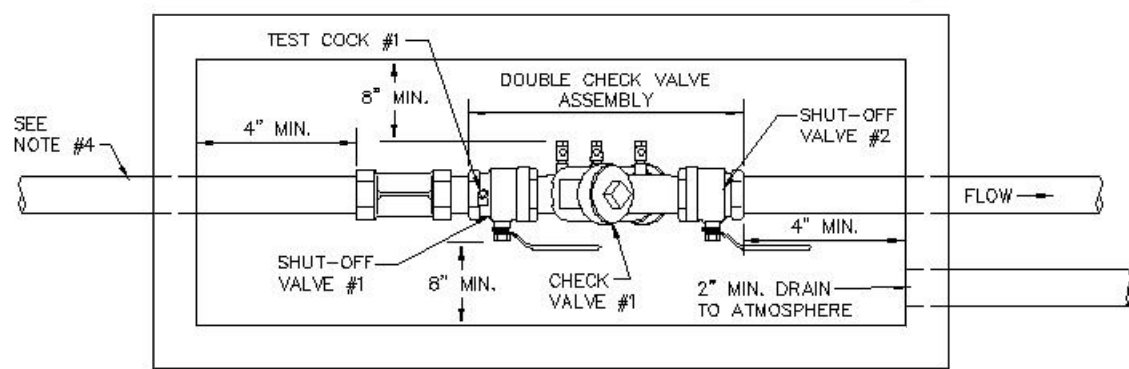


DRAIN ALTERNATIVE:

TIE INTO CATCH BASIN OR STORMWATER MANHOLE PER DETAIL SHOWN ABOVE. NO TIE IN TO STORMWATER PIPE WILL BE ACCEPTED.

NOTES:

1. DOUBLE CHECK VALVE ASSEMBLIES (DC) MUST CONFORM TO COG SPECIFICATIONS. REFER TO COG APPROVED LIST OF BPA'S.
2. COG APPROVED DC INCLUDES SHUT-OFF VALVES #1 AND #2 AS PART OF THE ASSEMBLY. NO SUBSTITUTIONS SHALL BE PERMITTED.
3. TEST COCK #1 SHALL BE UPSTREAM OF SHUT-OFF VALVE #1 AND IS PART OF THE APPROVED ASSEMBLY. ALL TEST COCKS MUST BE ON ONE SIDE OR TOP. ASSEMBLIES SHALL BE INSTALLED UPRIGHT AND IN THE HORIZONTAL POSITION.
4. PIPE MATERIAL AND FITTINGS SHALL BE AS SPECIFIED IN COG STANDARDS & SPECIFICATIONS.
5. VAULT, DOORS OR COVERS AND SUPPORT OF ASSEMBLY SHALL BE DESIGNED BY OWNER AND AS REQUIRED.
6. DRAIN INLET MAY BE PROVIDED AS SHOWN OR AS FLOOR DRAIN.
7. ALL LOCATIONS FOR BPA'S REQUIRE COG APPROVAL.
8. THERE SHALL BE NO TAPS, PIPING BRANCHES, UNAPPROVED BYPASS PIPING, HYDRANTS, FIRE DEPT. CONNECTION POINTS, OR OTHER WATER-USING APPURTENANCES CONNECTED TO THE SUPPLY LINE BETWEEN ANY WATER METER AND ITS COG-REQUIRED BACKFLOW PREVENTER.
9. EACH COG-REQUIRED BPA IS REQUIRED TO BE TESTED BY A COG-APPROVED CERTIFIED TESTER PRIOR TO PLACING THE WATER SYSTEM IN SERVICE.
10. SHUT OFF VALVE REQUIRED BETWEEN METER AND BPA TO ALLOW SERVICE OR REMOVAL WITHOUT TURNING OFF METER.



REVISED	F.B.	PG.	DATE: JUNE 10, 2003
			SCALE: NONE
			DRAWN BY: TAJ
			CHECKED BY: MWB
			CITY ENGINEER: FAP

# STANDARD DETAIL

DOUBLE CHECK VALVE ASSEMBLY (DC) 3/4"-1" BELOW GROUND VAULT

OFFICE OF THE  
CITY ENGINEER  
GASTONIA, N.C.

FILE NO. **71B-35**