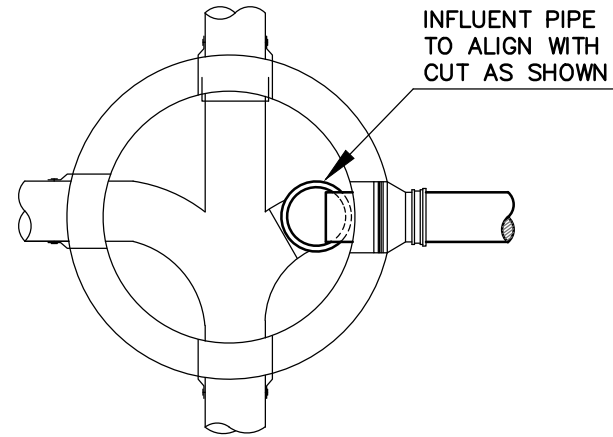


NOTE:

1. PIPE FOR INSIDE DROP SHALL BE SDR 35 PVC CONFORMING TO ASTM SPECIFICATION D3034.
2. BOTTOM BEND TO BE 90° SHORT BEND, BELL SPIGOT, OF SDR 35 PVC, SPIGOT OR BEND TO REST DIRECTLY ON EXISTING SHELF. CONSTRUCT MASONRY TROUGH FROM DROP EFFLUENT TO MAIN CHANNEL.
3. NOTCH BELL OF PVC DROP TO ACCEPT INFLUENT PIPE SPIGOT AS SHOWN.
4. LOCATE STRAPS AT PIPE BELL AND ABOVE BELL OF 90° BEND AS SHOWN. ADD EXTRA STRAPS AS NECESSARY TO MAINTAIN MAXIMUM SPACING OF TEN FEET.
5. HOLE IN MANHOLE WALL TO BE MADE WITH A CORING MACHINE. INSTALL A "KOR-N-SEAL" OR "PSX" FLEXIBLE RUBBER COUPLING OR APPROVED EQUAL, SEE STD. SPEC.

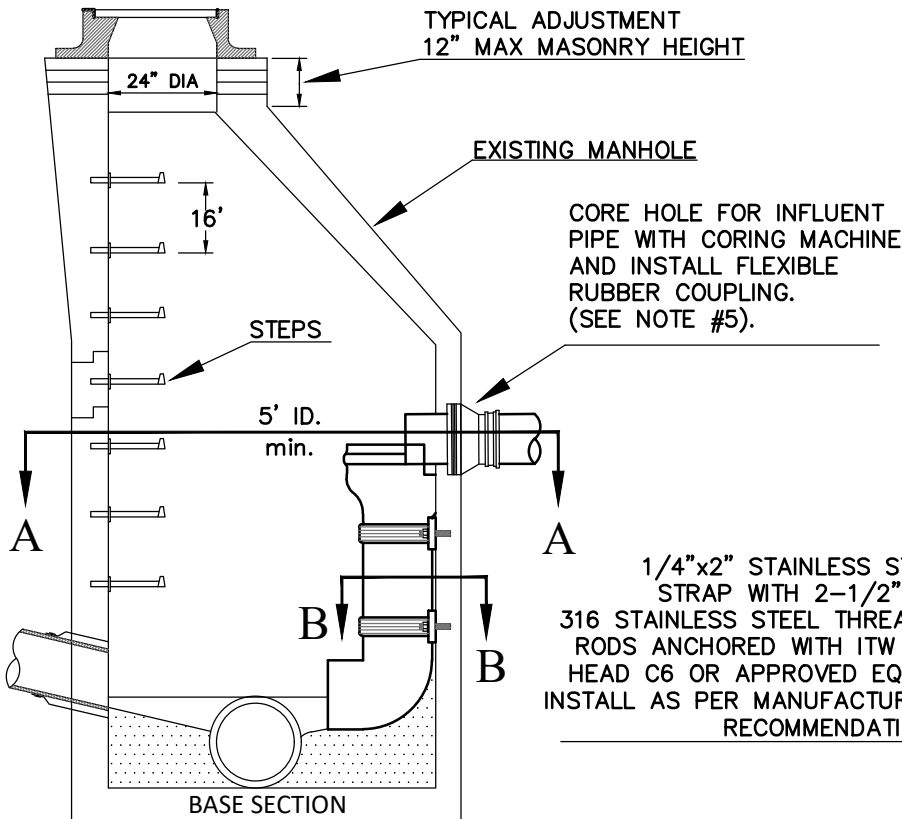
SPECIAL LOCATION APPROVAL REQUIRED



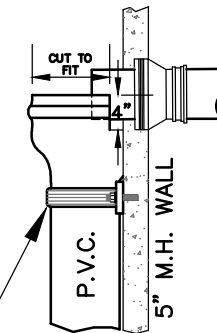
SECTION "A-A"

INFLUENT PIPE TO ALIGN WITH CUT AS SHOWN

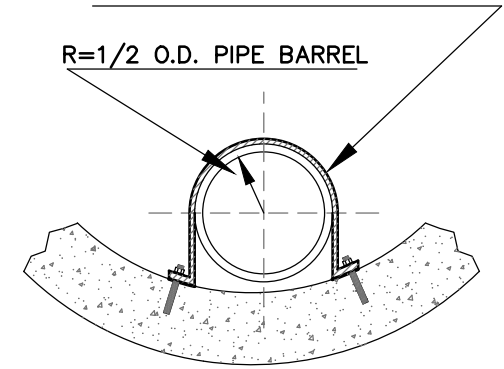
1/4"x2" STAINLESS STEEL STRAP WITH 2-1/2" DIA 316 STAINLESS STEEL THREADED RODS ANCHORED WITH ITW RED HEAD C6 OR APPROVED EQUAL. INSTALL AS PER MANUFACTURERS RECOMMENDATIONS.



1/4"x2" STAINLESS STEEL STRAP WITH 2-1/2" DIA 316 STAINLESS STEEL THREADED RODS ANCHORED WITH ITW RED HEAD C6 OR APPROVED EQUAL. INSTALL AS PER MANUFACTURERS RECOMMENDATIONS.



DROP DETAIL



SECTION "B-B"

REVISED	F.B.	PG.	DATE: MAY 15, 1990
01/05/95			SCALE: NTS
05/31/96			DRAWN BY: JDH, EZ, MGB
02/02/01			CHECKED BY: PNR, FAP, TAJ
03/06/17			CITY ENGINEER: JPB, CCB
08/26/21			

Standard Detail

Manhole Detail

8" Diameter Inside Drop

OFFICE OF THE
CITY ENGINEER
GASTONIA, N.C.

FILE NO. **71B-4B**