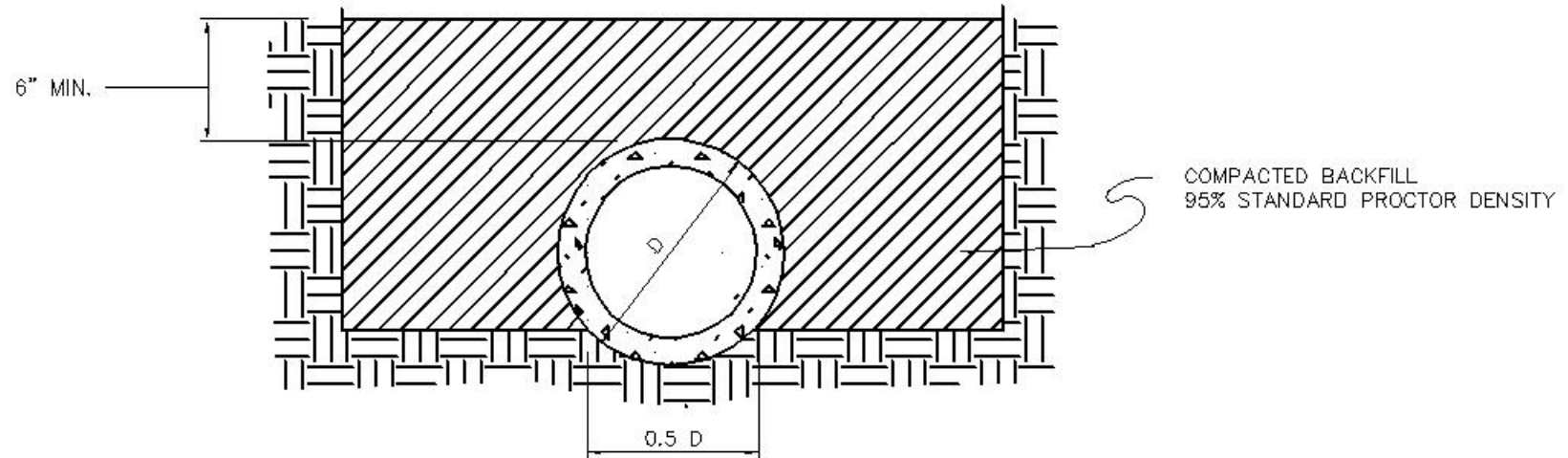


CLASS B
COMPACTED GRANULAR BEDDING
LOAD FACTOR 1.9



CLASS C
SHAPED BOTTOM
LOAD FACTOR 1.5

REVISED	F.B.	PG.	DATE: 3-15-74
12/13/84			SCALE: NONE
			DRAWN BY: RMN
			CHECKED BY: NBM, FAP
			CITY ENGINEER: DEC

STANDARD DETAIL

STANDARD BEDDING DETAILS FOR
SANITARY SEWER & STORM DRAIN
PIPES

OFFICE OF THE
CITY ENGINEER
GASTONIA, N.C.

FILE
NO. **71B-5**