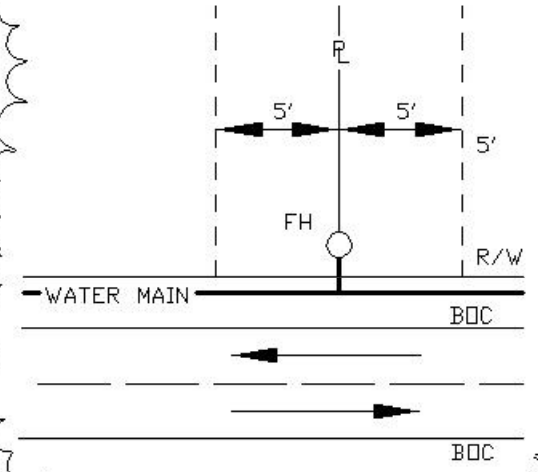
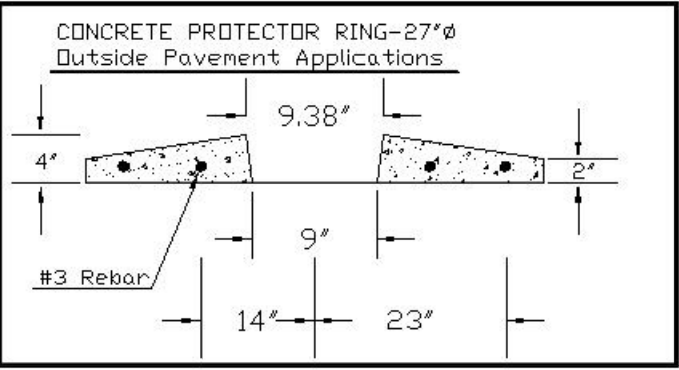
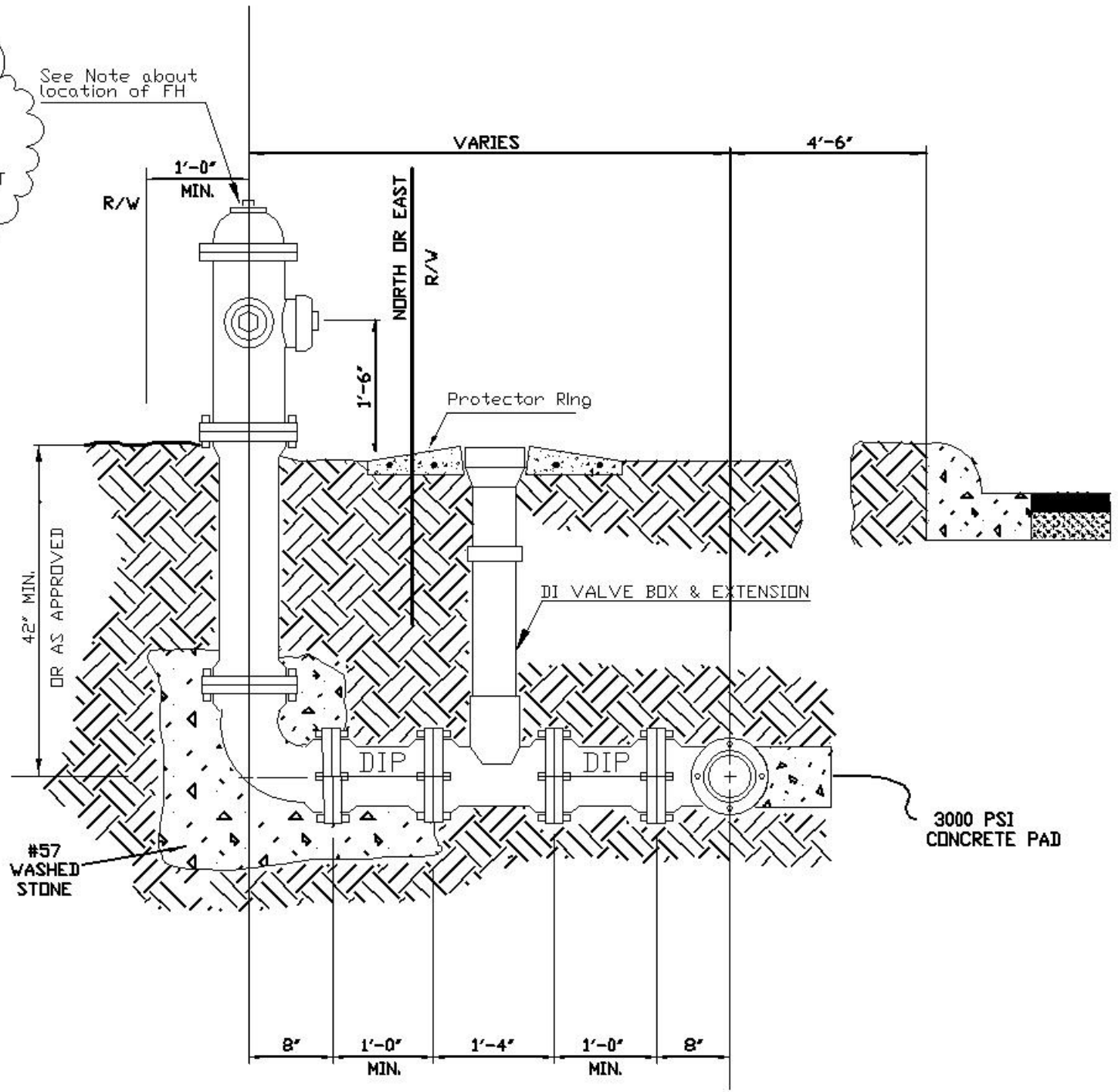


**NOTE:**

ONLY WHEN WATER MAIN IS LOCATED TOO CLOSE TO THE R/W TO KEEP THE FIRE HYDRANT INSIDE THE R/W THEN THE FIRE HYDRANT SHOULD BE LOCATED ON THE PROPERTY LINE OR AN EASEMENT SHOULD BE OBTAINED



See Note about location of FH



REVISED	F.B.	PG.	DATE:
12-6-84			3-19-74
5-29-97			SCALE: FULL
2-02-01			DRAWN BY: R.M.N.
2-08-05			CHECKED BY: N.B.M., F.A.P.
			CITY ENGINEER: J.P.B.

# STANDARD DETAIL

## STANDARD FIRE HYDRANT INSTALLATION WITHIN UTILITY EASEMENT

OFFICE OF THE  
CITY ENGINEER  
GASTONIA, N.C.

FILE NO. **71B-7**