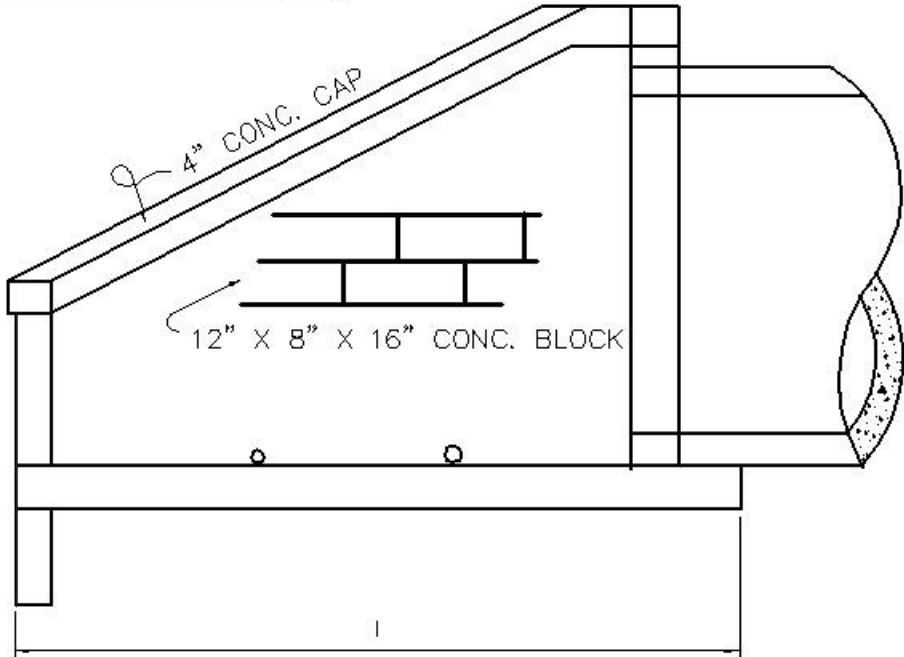


FRONT ELEV.



SIDE ELEV.

NOTE: SEE FILE NO. 71C-18 & 19 FOR DIMENSIONS
SEE 71C-11 FOR TOP ELEV.

NOTE: 1 (ONE) CUBIC FOOT OF #57 WASHED STONE IS REQUIRED BEHIND EACH WEEP HOLE.

WEEP HOLES USED WITH 15"-42" PIPE WILL BE PLACED 6" INSIDE WING;
48"-96" WILL BE PLACED 8" INSIDE WING

REVISED	F.B.	PG.	DATE: 4-23-74
9/1/90			SCALE: NONE
1/05/95			DRAWN BY: PNR, EZ
			CHECKED BY: NBM, FAP
			CITY ENGINEER: DEC

STANDARD DETAIL

CONCRETE BLOCK HEADWALL WITH WING WALLS FOR ALL SIZES OF RCP

OFFICE OF THE
CITY ENGINEER
GASTONIA, N.C.

FILE NO. **71C-10**