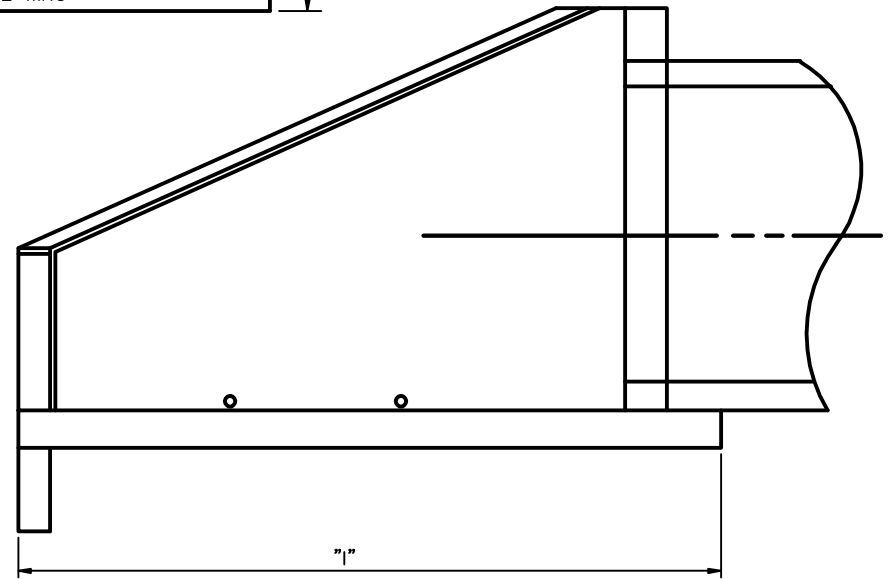


— FRONT ELEV. —

NOTE: SEE FILE NO. 71C-18 & 19
FOR DIMENSIONS
SEE 71C-13 FOR TOP ELEV.

NOTE: 1 (ONE) CUBIC FOOT MINIMUM OF #57
WASHED STONE IS REQUIRED BEHIND
EACH WEEP HOLE.



— SIDE ELEV. —

REVISED	F.B.	PG.	DATE: 2/25/74
9/14/90			SCALE: None
			DRAWN BY: PNR
			CHECKED BY: NBM, FAP
			CITY ENGINEER: DEC

Standard Detail
Reinforced Concrete Headwall
With Wing Walls

OFFICE OF THE
CITY ENGINEER
GASTONIA, N.C.

FILE NO. **71C-12**