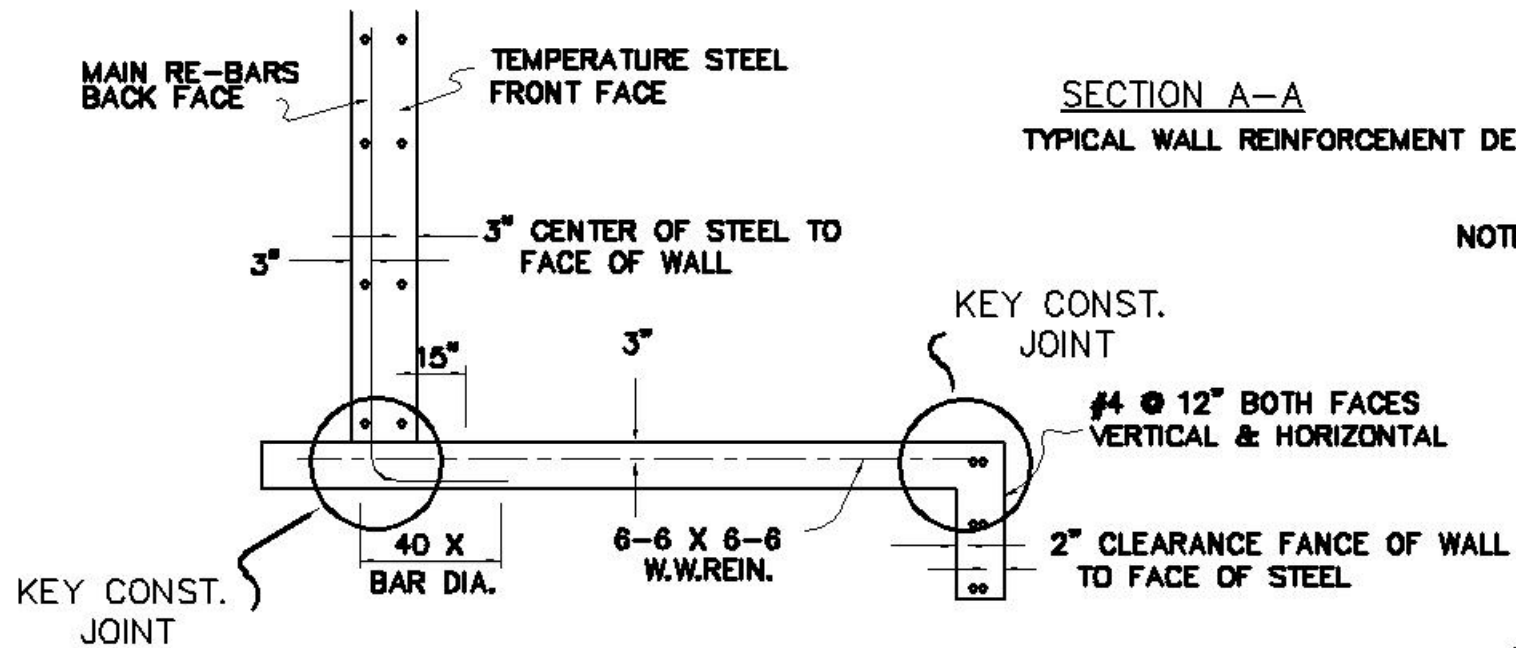


MAIN RE-BARS  
BACK FACE

TEMPERATURE STEEL  
FRONT FACE

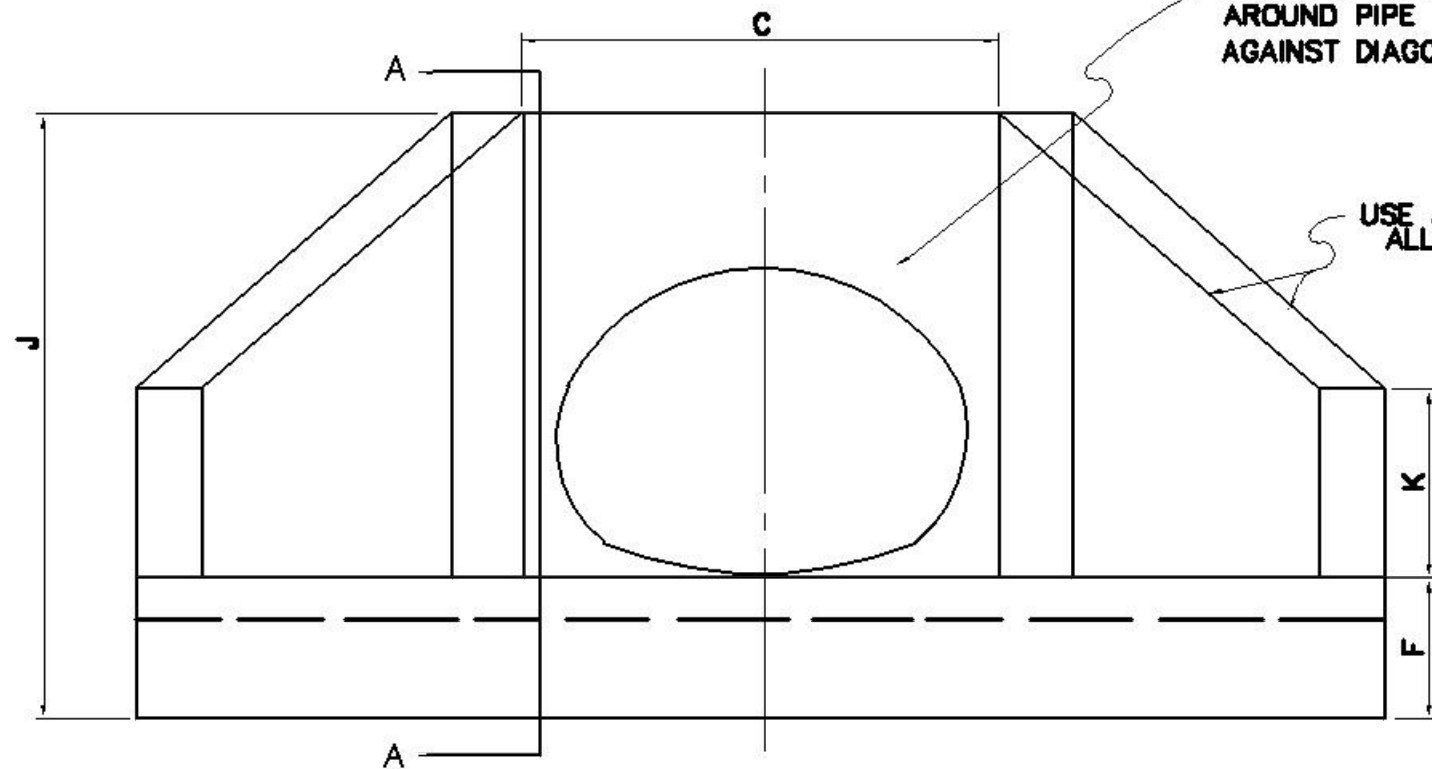
**SECTION A-A**  
TYPICAL WALL REINFORCEMENT DETAIL

NOTE: SEE FILE NO. 71C-22 & 23  
FOR DIMENSIONS & 71C-21 FOR TOP  
VIEW



PLACE 4-#5 AT EACH FACE  
AROUND PIPE TO PROTECT  
AGAINST DIAGONAL TENSION

USE 3/4" CHAMFER ON  
ALL EDGES



**FRONT ELEV.**

REVISED	F.B.	PG.	DATE: 4-18-74
			SCALE: NONE
			DRAWN BY: RMN
			CHECKED BY: NBM
			CITY ENGINEER: FRW

**STANDARD DETAIL**

STANDARD DRAWING OF SINGLE  
AND DOUBLE MULTI-PLATE  
PIPE ARCH HEADWALLS

OFFICE OF THE  
CITY ENGINEER  
GASTONIA, N.C.

FILE NO. **71C-20**