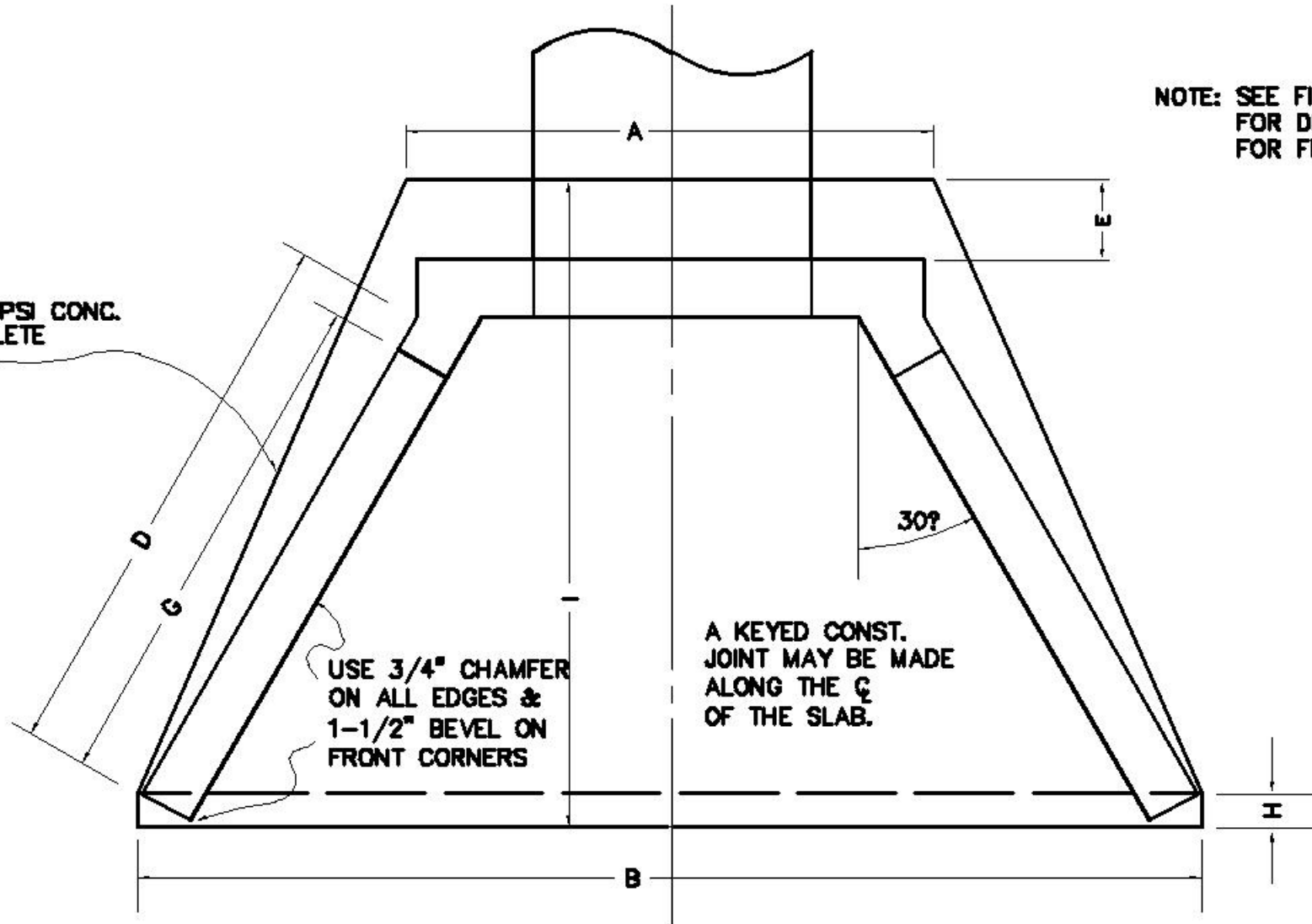


USE 3000 PSI CONC.
FOR COMPLETE
HEADWALL



NOTE: SEE FILE NO. 71C-22 & 23
FOR DIMENSIONS & 71C-20
FOR FRONT ELEV.

TOP ELEV.

REVISED	F.B.	PG.	DATE: 4-18-74
			SCALE: NONE
			DRAWN BY: RMN
			CHECKED BY: NBM
			CITY ENGINEER: FRW

STANDARD DETAIL

**STANDARD DRAWING OF SINGLE AND DOUBLE
MULTI-PLATE PIPE ARCH HEADWALLS**

OFFICE OF THE
CITY ENGINEER
GASTONIA, N.C.

FILE NO. **71C-21**