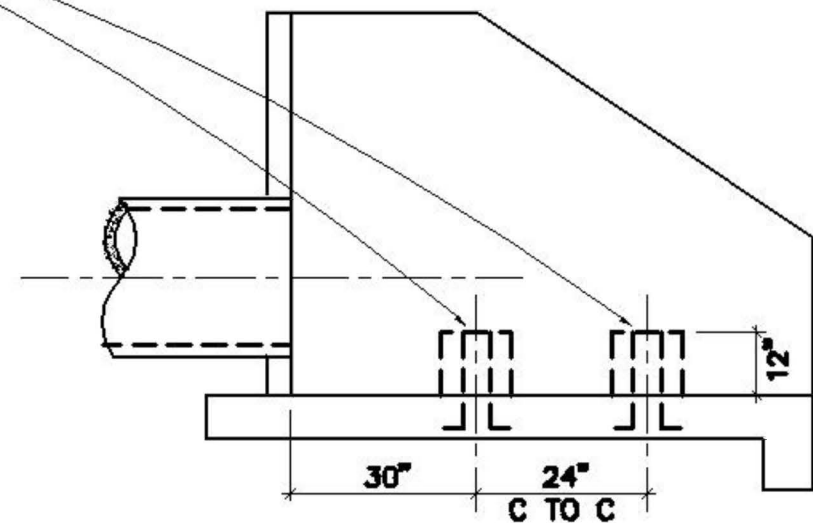


PLAN
(N.T.S.)

12 ϕ SOLID CONC. BLOCK
FORMED & POURED IN PLACE,
REINFORCED BY NO. 4 RE-BARS
DISPERSED EVERY 4" THERE
THROUGHOUT.



SIDE
(N.T.S.)

SEE FILE NO. 71C-18 & 19 OR 22 & 23
FOR OVERALL DIMENSIONS

REVISED	F.B.	PG.	DATE: 4-16-74
5-21-75			SCALE: NONE
			DRAWN BY: PNR
			CHECKED BY: NBM
			CITY ENGINEER: FRW

STANDARD DETAIL

ENERGY DISSIPATING HEADWALL- TYPE I

OFFICE OF THE
CITY ENGINEER
GASTONIA, N.C.

FILE NO. **71C-24**