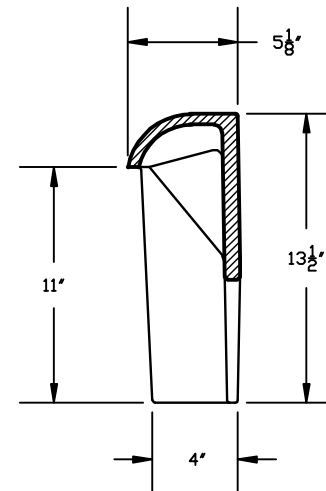
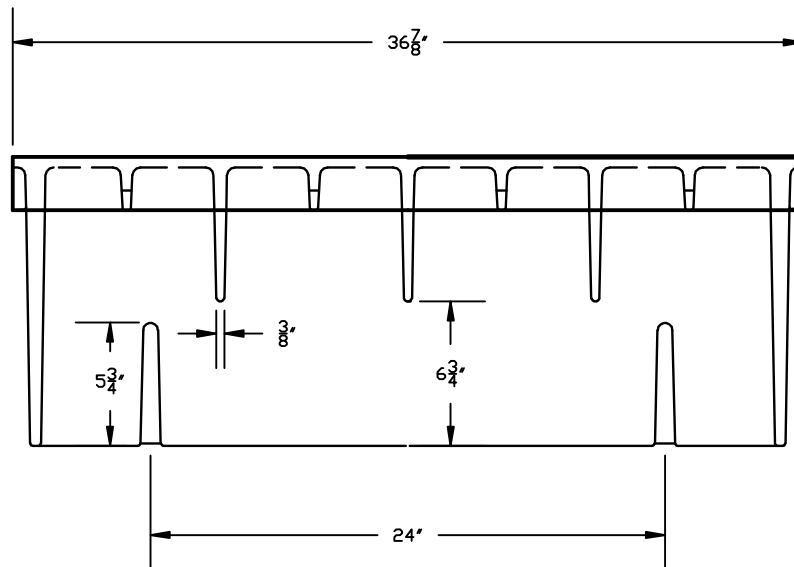


NOTE:

1. GRAY IRON A.S.T.M. A48 CL35
2. PRODUCT NO. 44066068 CATALOG NO. V-4066 (EAST JORDAN IRON WORKS, INC. EAST JORDAN, MI.)
3. US FOUNDRY USF 5181-6420, 6425, OR 6430
4. ENNIS 840.03



REVISED	F.B.	PG.	DATE: <b>2/26/01</b>
			SCALE: <b>None</b>
			DRAWN BY: <b>JHD</b>
			CHECKED BY:
			CITY ENGINEER: <b>JPB</b>

## Standard Detail

### Standard Catch Basin Hood

OFFICE OF THE  
CITY ENGINEER  
GASTONIA, N.C.

FILE NO. **71C-3**