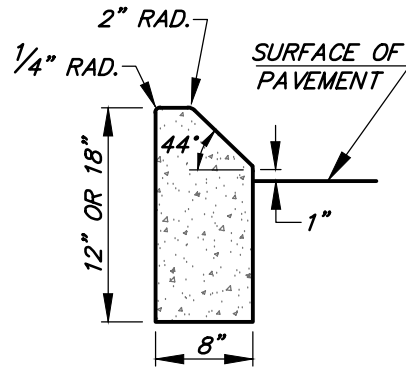
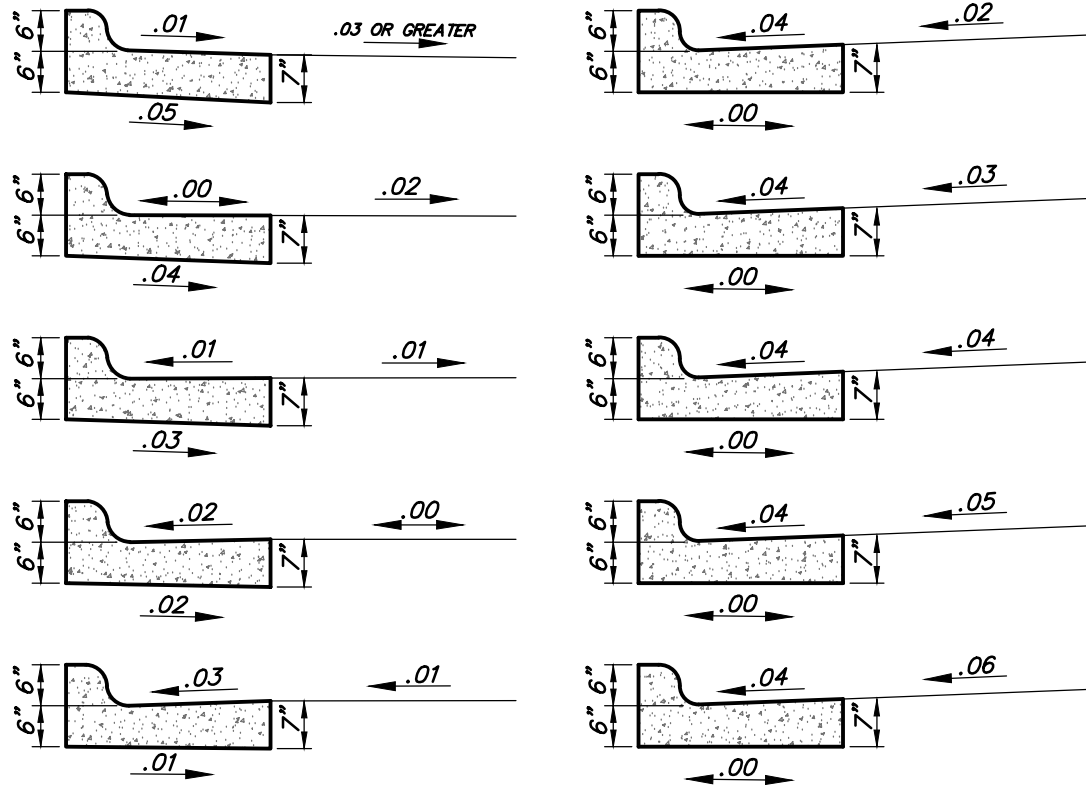


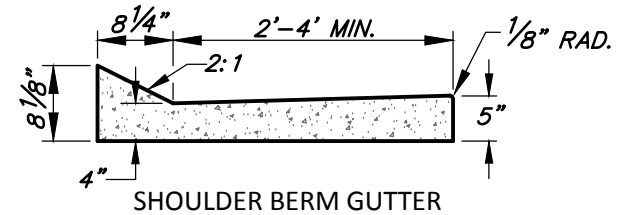
DETAIL OF
9" x 12" OR 18"
CONCRETE CURB



DETAIL OF
8" x 12" OR 18"
CONCRETE CURB



SLOPES FOR VARIABLE
SUPERELEVATION RATES



SHOULDER BERM GUTTER

REVISED	DATE: 11/20/97	Standard Detail	OFFICE OF THE
04/07/17	SCALE: NTS		CITY ENGINEER
	DRAWN BY: JHL	Concrete Curb & Gutter	GASTONIA, N.C.
	CHECKED BY: JHD		FILE NO. 71D-10
	CITY ENGINEER: JPB		
		Slope Transition for Super Elevation	