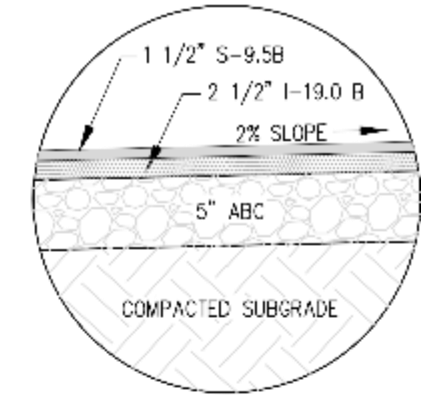
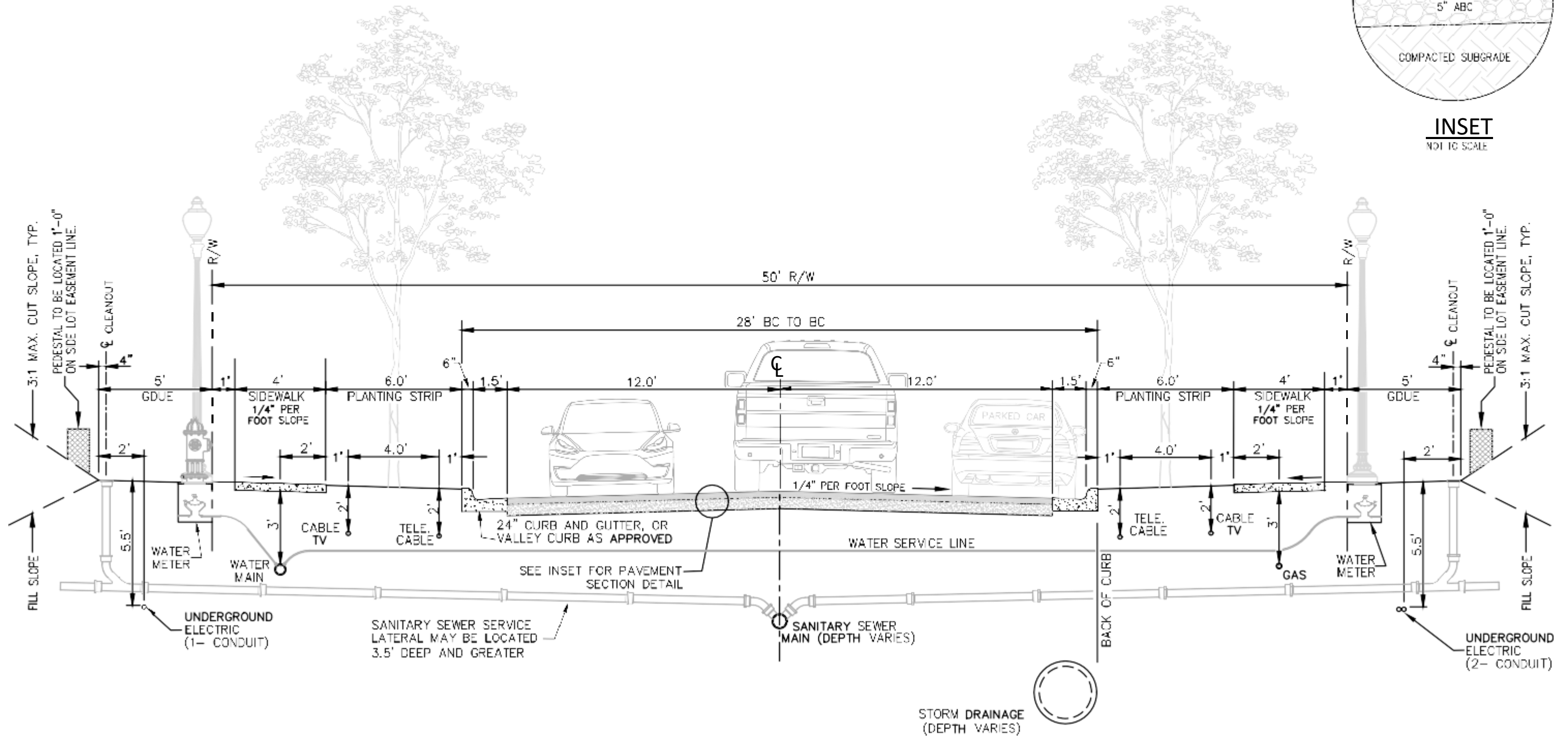


NOTE:

1. PARKING ALLOWED ONLY ON ONE SIDE OF STREET.



INSET
NOT TO SCALE



REVISED	DATE: 04/20/2022
	SCALE: NONE
	DRAWN BY: MGB, TAJ, ASB
	CHECKED BY: TAJ
	CITY ENGINEER: GVS



STANDARD DETAIL

**50' R/W STANDARD STREET
CROSS SECTION**

OFFICE OF THE
CITY ENGINEER
GASTONIA, N.C.

71D-1