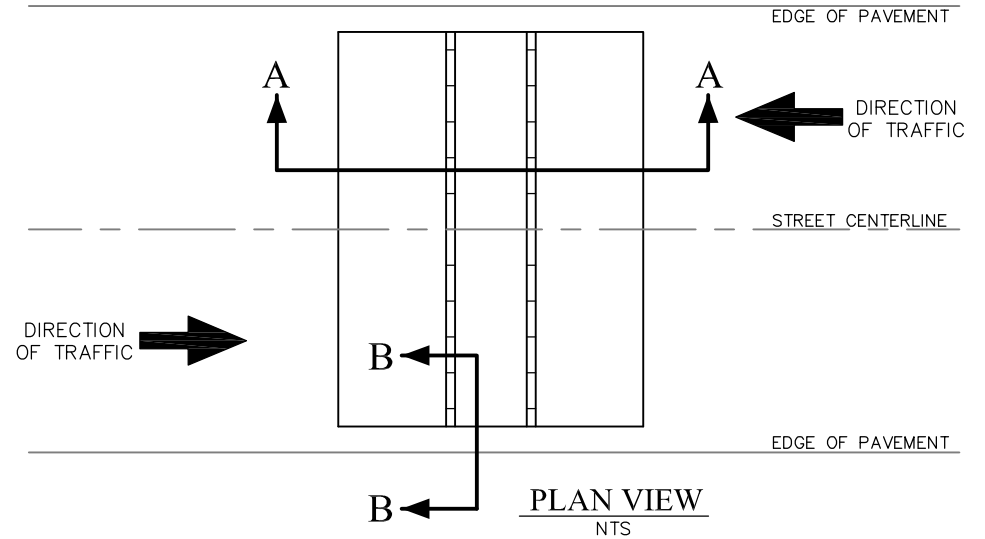
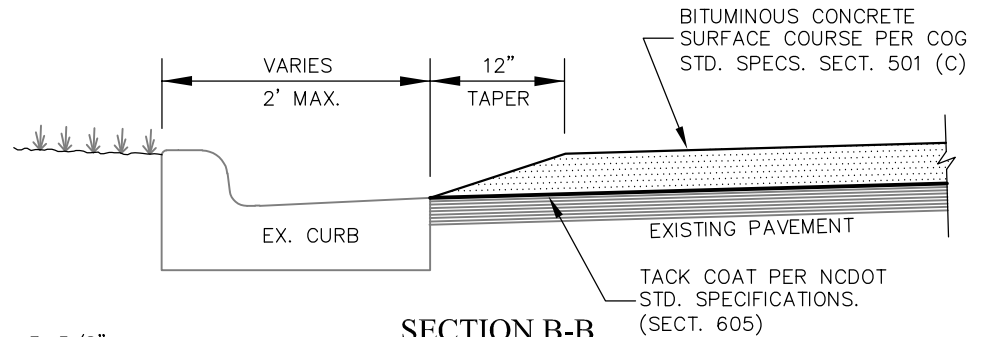


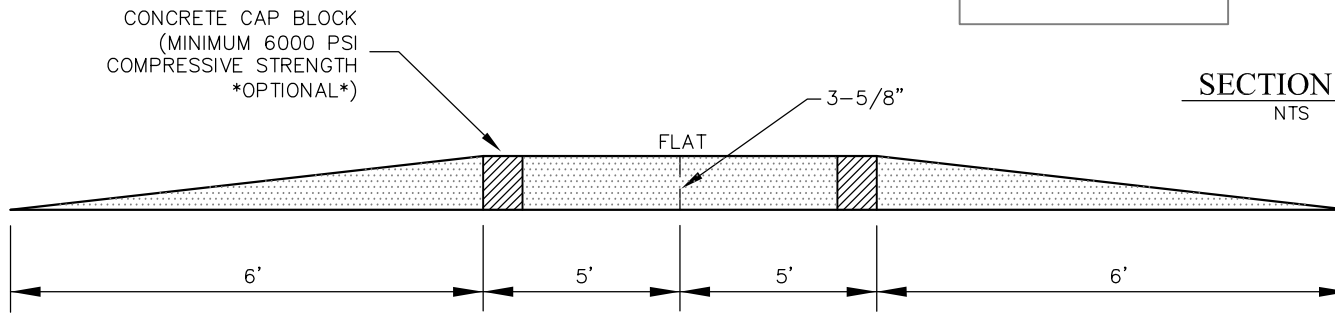
SHOULDER DETAIL FOR STREETS WITHOUT CURBS
NTS



PLAN VIEW
NTS



SECTION B-B
NTS



SECTION A-A
NTS

REVISED	F.B.	PG.	DATE: 08/21/11
			SCALE: None
			DRAWN BY: MGB
			CHECKED BY: GVS, DKL
			CITY ENGINEER: CCB

Standard Detail

FLAT TOP ROAD HUMPS

OFFICE OF THE
CITY ENGINEER
GASTONIA, N.C.

FILE NO. **71D-39A**