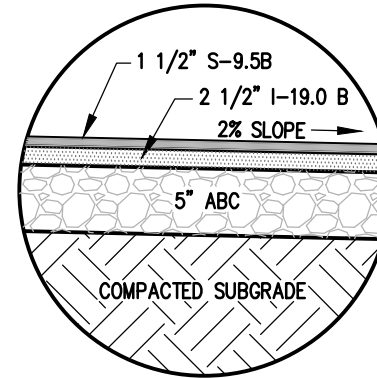
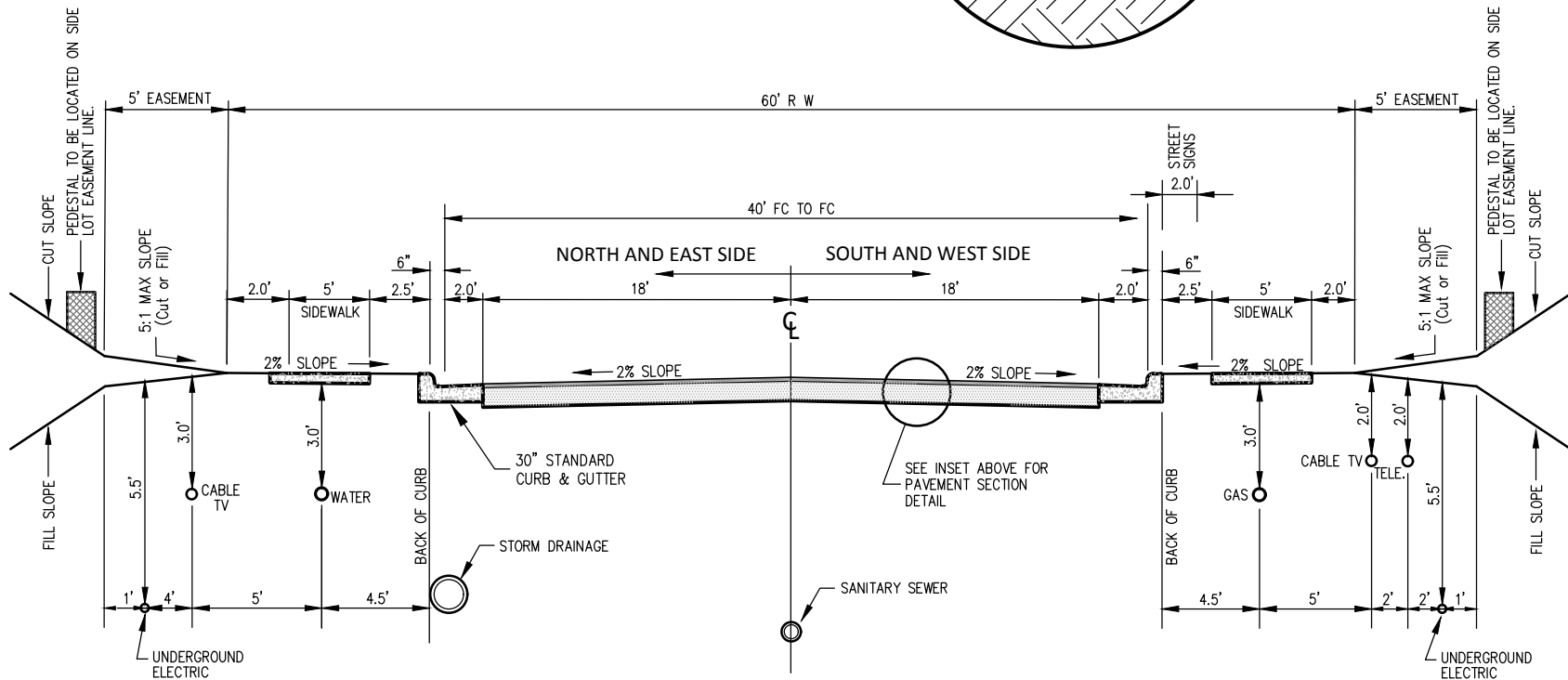


NOTES:

1. CITY ELECTRICAL LINES INSTALLED FIRST.
2. CABLEVISION OF GASTONIA – NORTH AND EAST SIDE.
3. JONES INTERCABLE – SOUTH AND WEST SIDE.
4. ALL DEPTHS SHOWN ARE MINIMUM DEPTHS.
5. JOINT TRENCH REQUIRES SPECIAL APPROVAL.
6. 3:1 SLOPE MAX, (OUTSIDE R/W AND EASEMENT LINES) UNLESS OTHERWISE APPROVED.
7. NO STREET TREES WITHIN THE RIGHT OF WAY OR UTILITY EASEMENT.



INSET
NOT TO SCALE



REVISED	DATE: 03-21-17	Standard Detail	OFFICE OF THE CITY ENGINEER GASTONIA, N.C.
	SCALE: NONE		
	DRAWN BY: MGB		
	CHECKED BY: TAJ		
	CITY ENGINEER: CCB	60' R/W - Minor Thoroughfare / Special Collector Street Cross Section	FILE NO. 71D-3