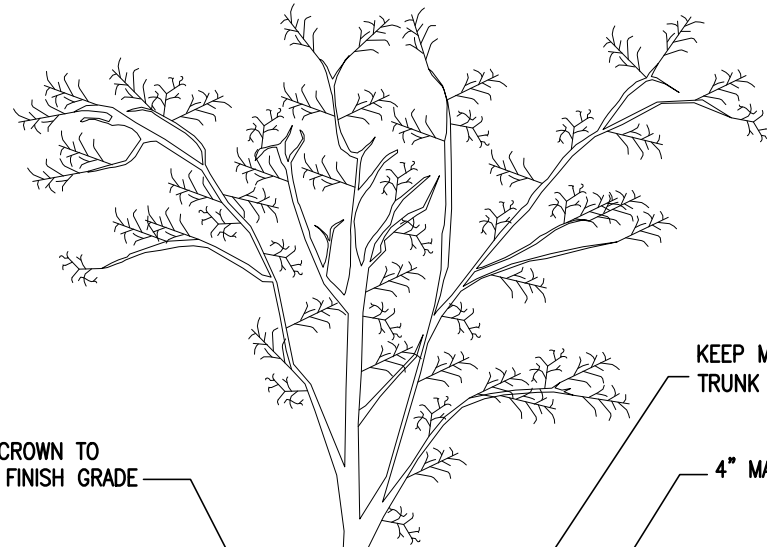
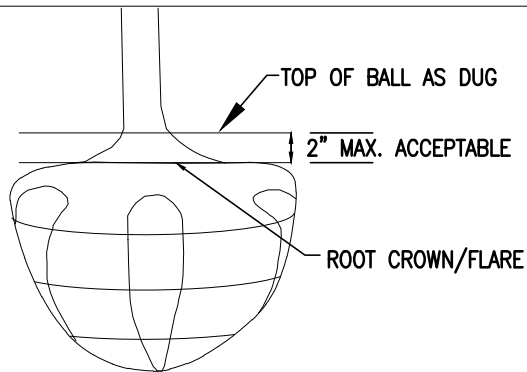


**NOTES:**

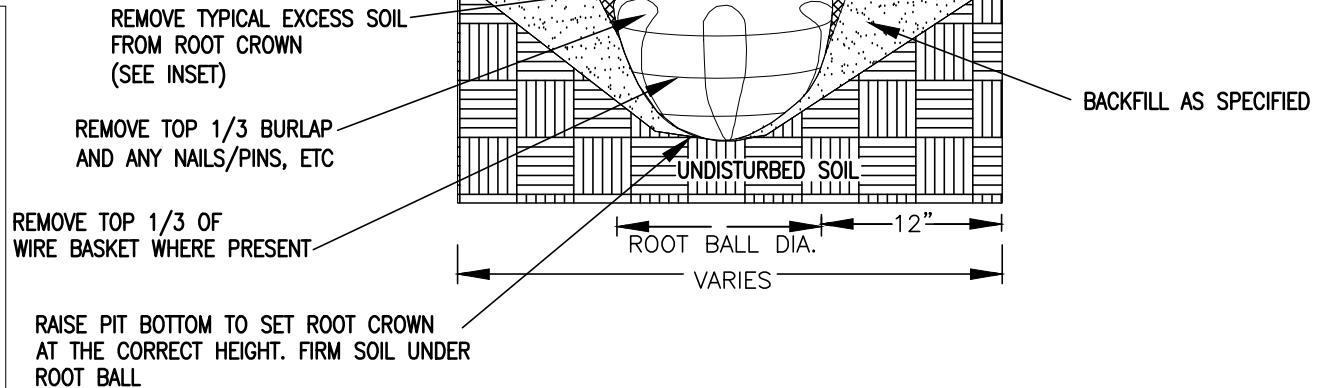
1. REMOVE WIRE AND NYLON TWINE FROM BALL AND CANOPY
2. RESEED UNMULCHED, DISTURBED AREA
3. SOAK ROOT BALL AND PLANT PIT IMMEDIATELY AFTER INSTALLATION
4. STAKING IS OPTIONAL & MUST BE REMOVED 6 MONTHS AFTER PLANTING
5. REMOVE EXCESS SOIL FROM SITE AND DISPOSE OF IN A LEGAL MANNER
6. TREES PLANTED IN R.O.W. MUST BE LIMBED UP 6'4" OVER SIDEWALKS



**ACCEPTABLE ROOT BALL CONDITION**



1. EXPOSE NATURAL ROOT FLARE BEFORE PLACING TREE IN HOLE.
2. TREES WITH MORE THAN 2" EXPOSED WILL BE REJECTED.
3. TREES WITH MAJOR GIRDLING OR CIRCLING ROOTS WILL BE REJECTED.



ALL TREES SHALL MEET AMERICAN STANDARD FOR NURSERY STOCK (ANSI Z60.1-2014)  
 FOR EXAMPLE:

CALIPER	HEIGHT (RANGE)	MAX. HEIGHT	MIN. ROOT BALL DIA.	MIN. ROOT BALL DEPTH
2"	12-14"	16'	24"	16"
3"	14-16"	18'	32"	21"

REVISED	F.B.	PG.	DATE: MARCH 4 2019
			SCALE: NONE
			DRAWN BY: ASB
			CHECKED BY: GVS
			CITY ENGINEER: GVS

**Standard Detail**  
**TREE PLANTING**  
 (FOR SINGLE AND MULTI-STEM TREES)

OFFICE OF THE  
**CITY ENGINEER**  
 GASTONIA, N.C.  
 FILE NO. **71D-41C**