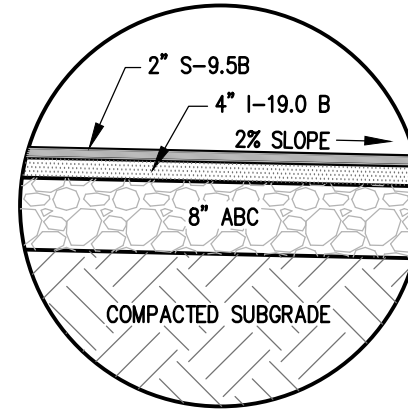
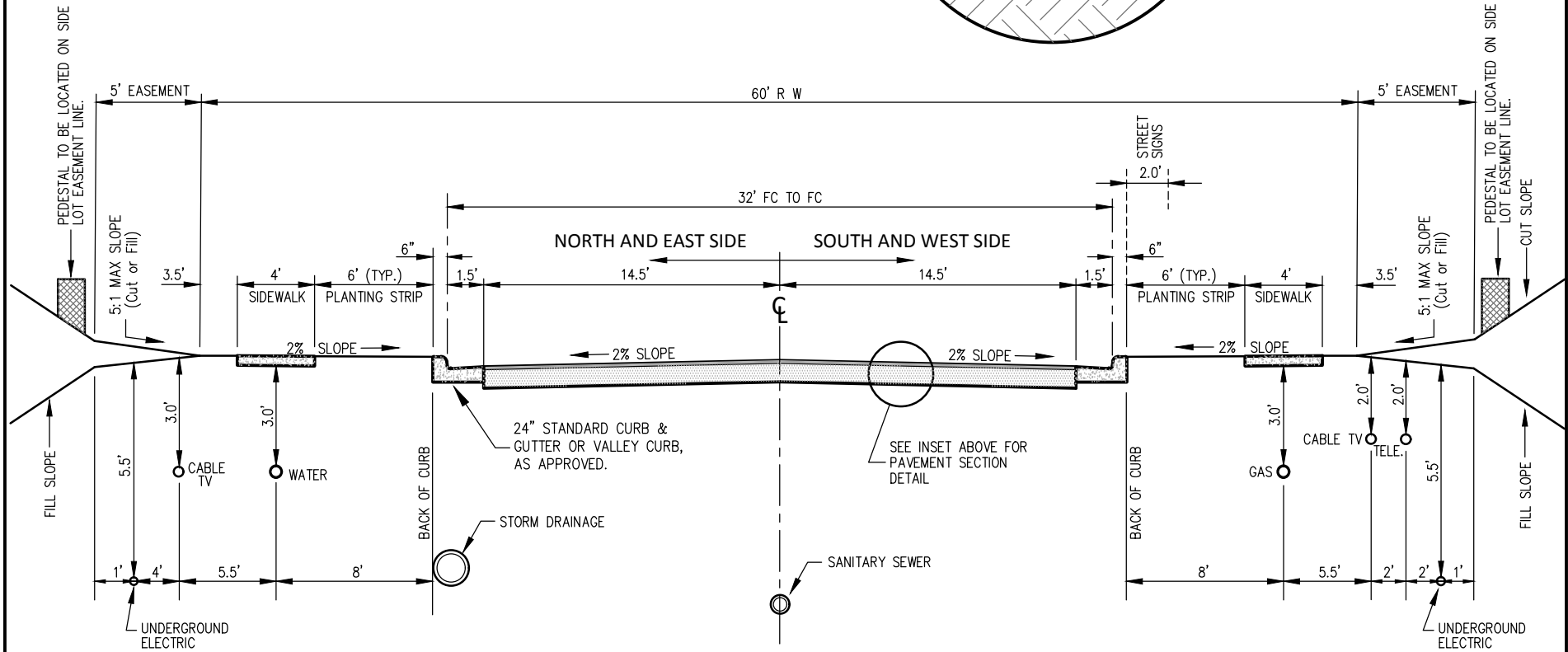


NOTES:

1. CITY ELECTRICAL LINES INSTALLED FIRST.
2. CABLE – NORTH AND EAST SIDE.
3. OTHER TELECOM – SOUTH AND WEST SIDE.
4. ALL DEPTHS SHOWN ARE MINIMUM DEPTHS.
5. JOINT TRENCH REQUIRES SPECIAL APPROVAL.
6. 3:1 SLOPE MAX, (OUTSIDE R/W AND EASEMENT LINES) UNLESS OTHERWISE APPROVED.



INSET
NOT TO SCALE



REVISED	DATE: 11-13-19	Standard Detail	OFFICE OF THE CITY ENGINEER
	SCALE: NONE		
	DRAWN BY: MGB	60' R/W - Industrial / Heavy Duty Cross Section	GASTONIA, N.C.
	CHECKED BY: JB, TAJ		
CITY ENGINEER: GVS	FILE NO. 71D-7		