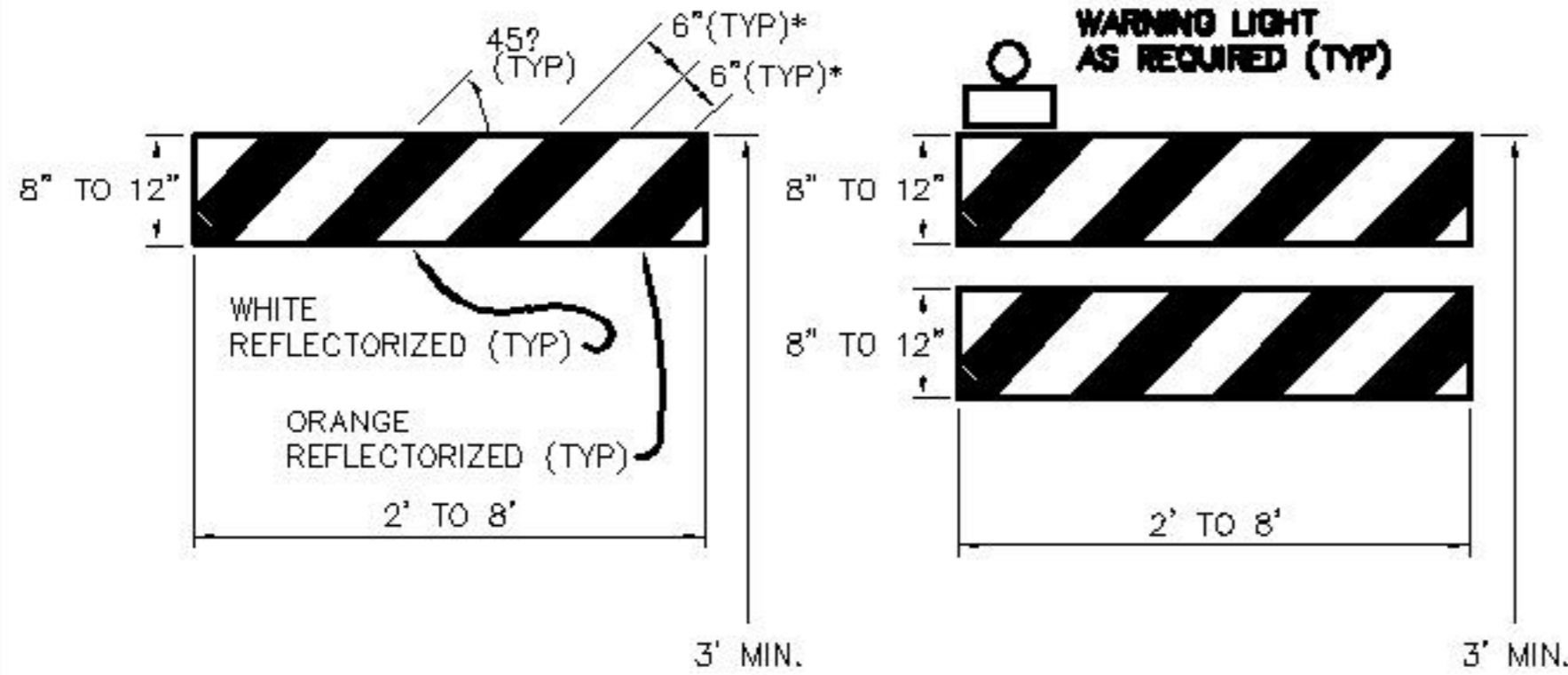
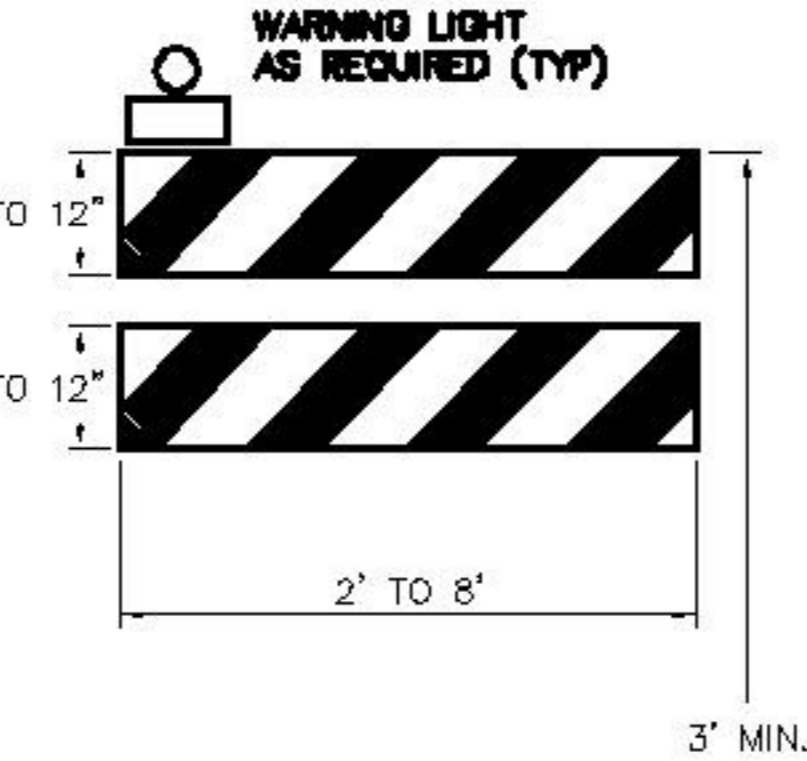


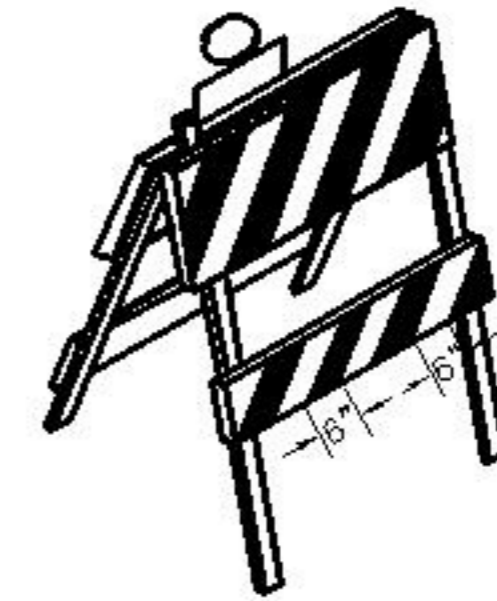
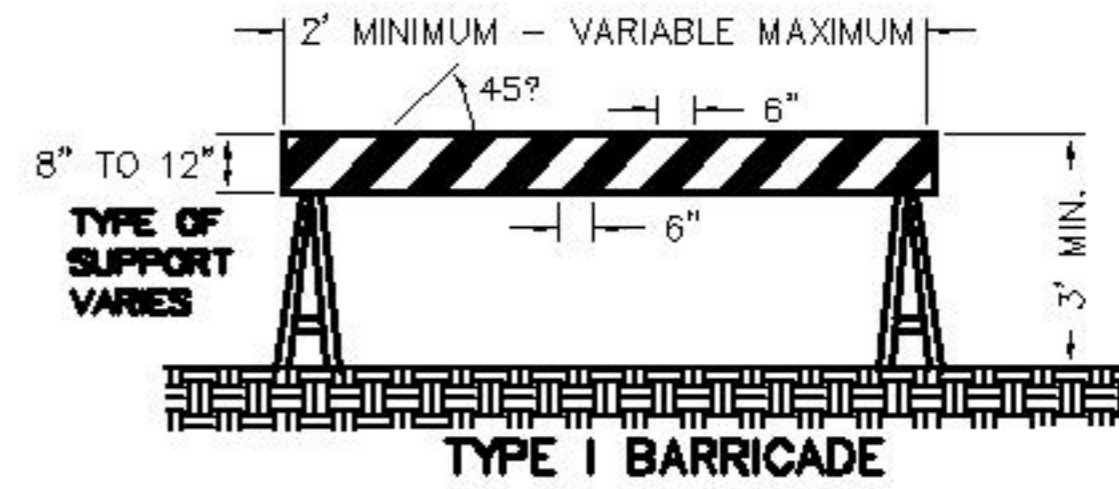
STANDARD BARRICADE DESIGNS



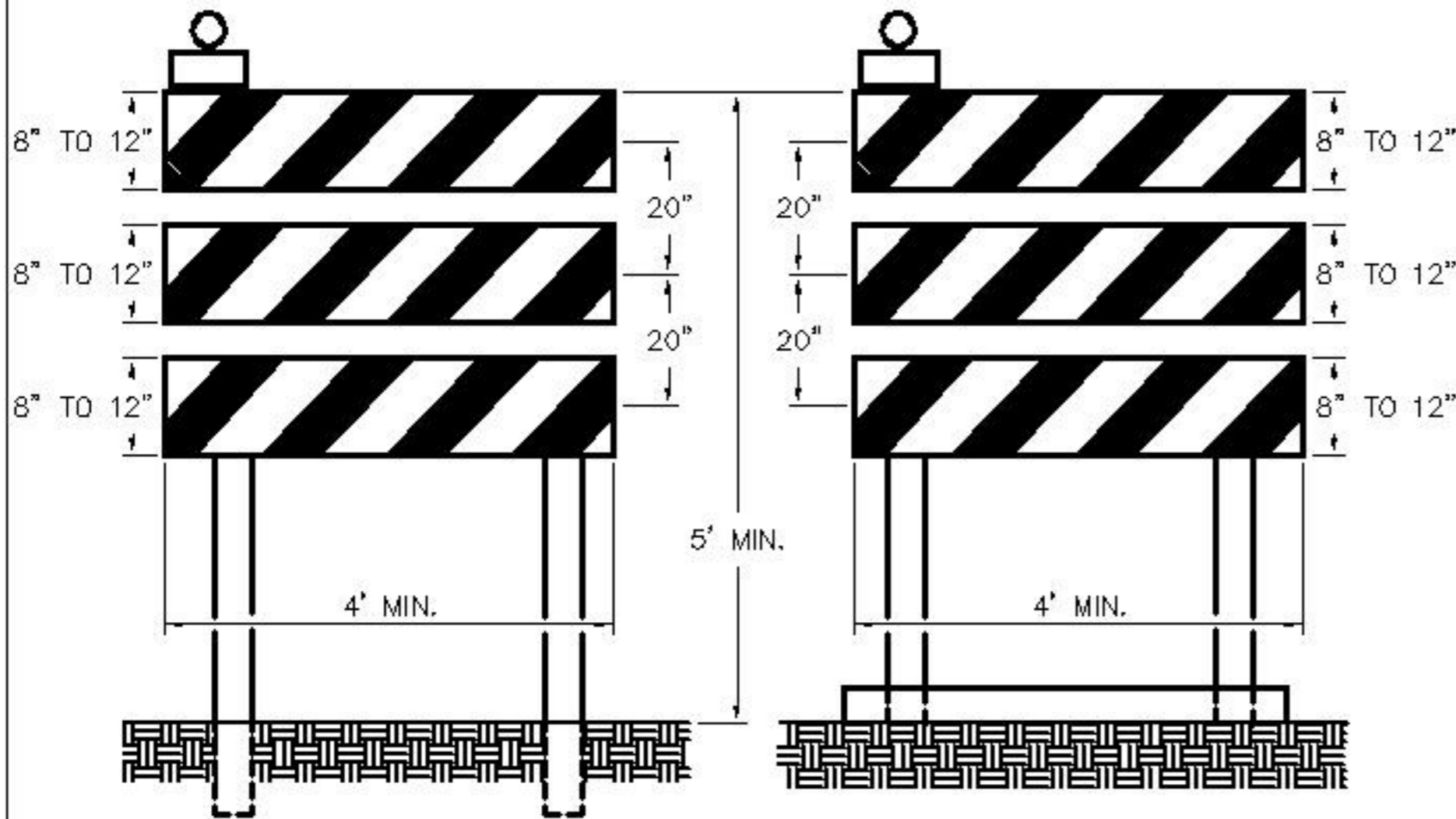
TYPE I BARRICADE



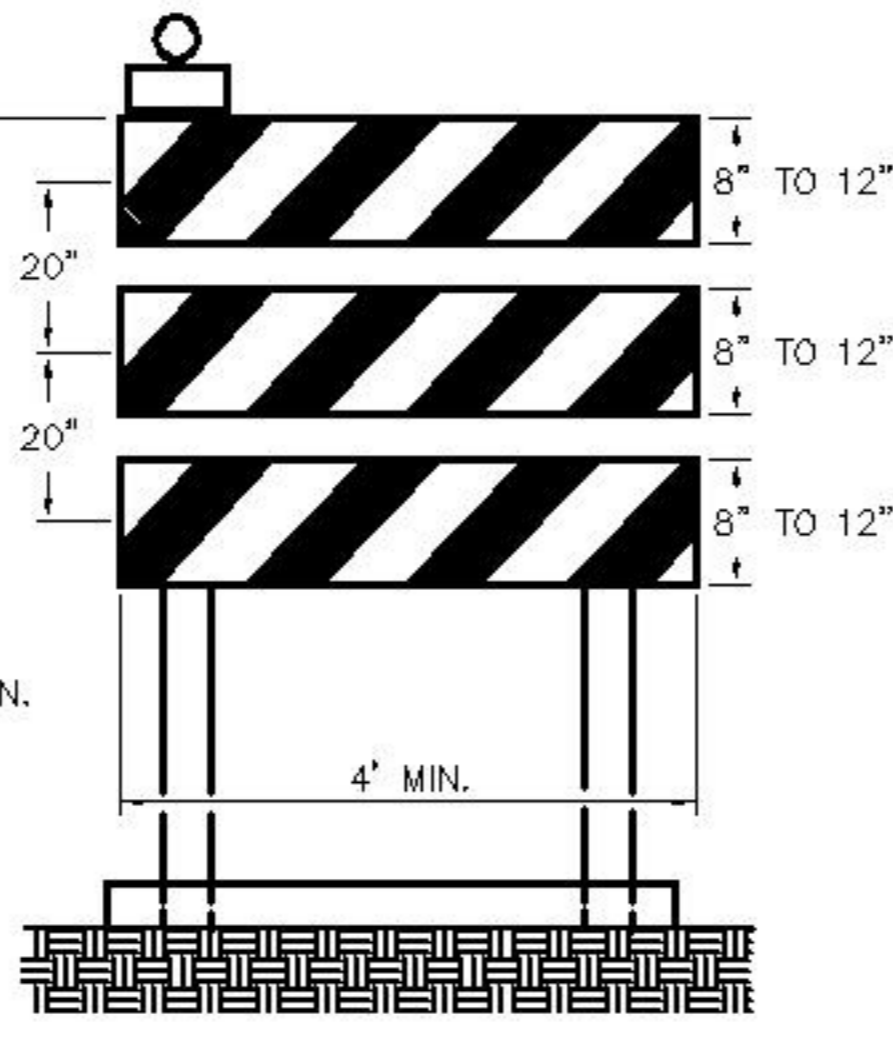
TYPE II BARRICADE



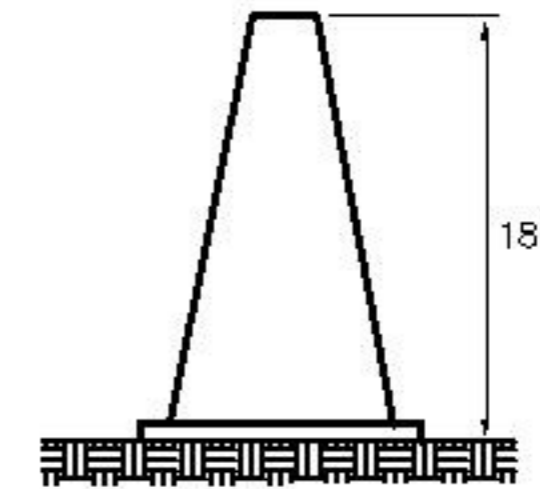
TYPE II BARRICADE



TYPE III BARRICADE (FIXED)



TYPE III BARRICADE (RIGID)



CONE

**NOTE:**  
FOR RAILS LESS THAN 3' LONG, 4" STRIPES SHALL BE USED.

REVISED	F.B.	PG.	DATE: 7-30-85
			SCALE: NONE
			DRAWN BY: J.D.H.
			CHECKED BY: D.K.L.
			CITY ENGINEER: D.E.C.

STANDARD DETAIL

STANDARD BARRICADE AND TRAFFIC CONE DESIGN

OFFICE OF THE  
CITY ENGINEER  
GASTONIA, N.C.

FILE NO. **71E-2**